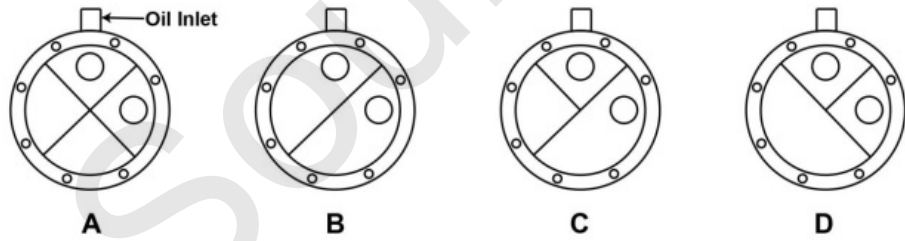
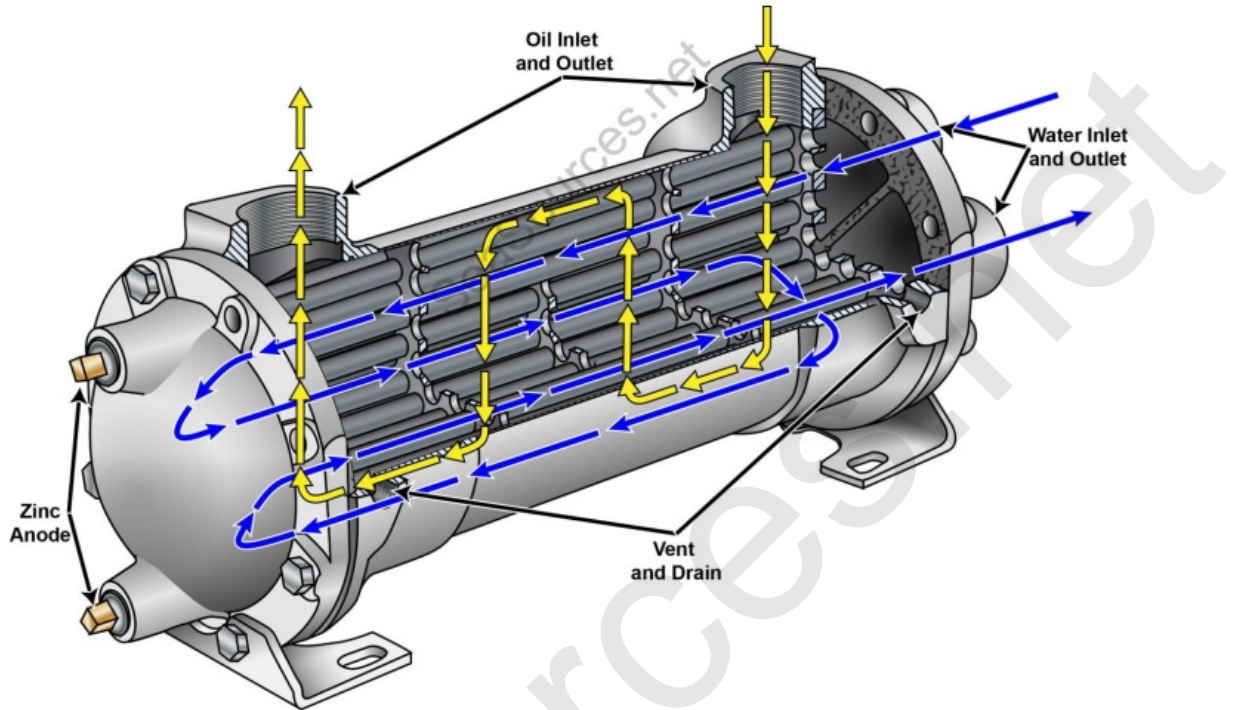
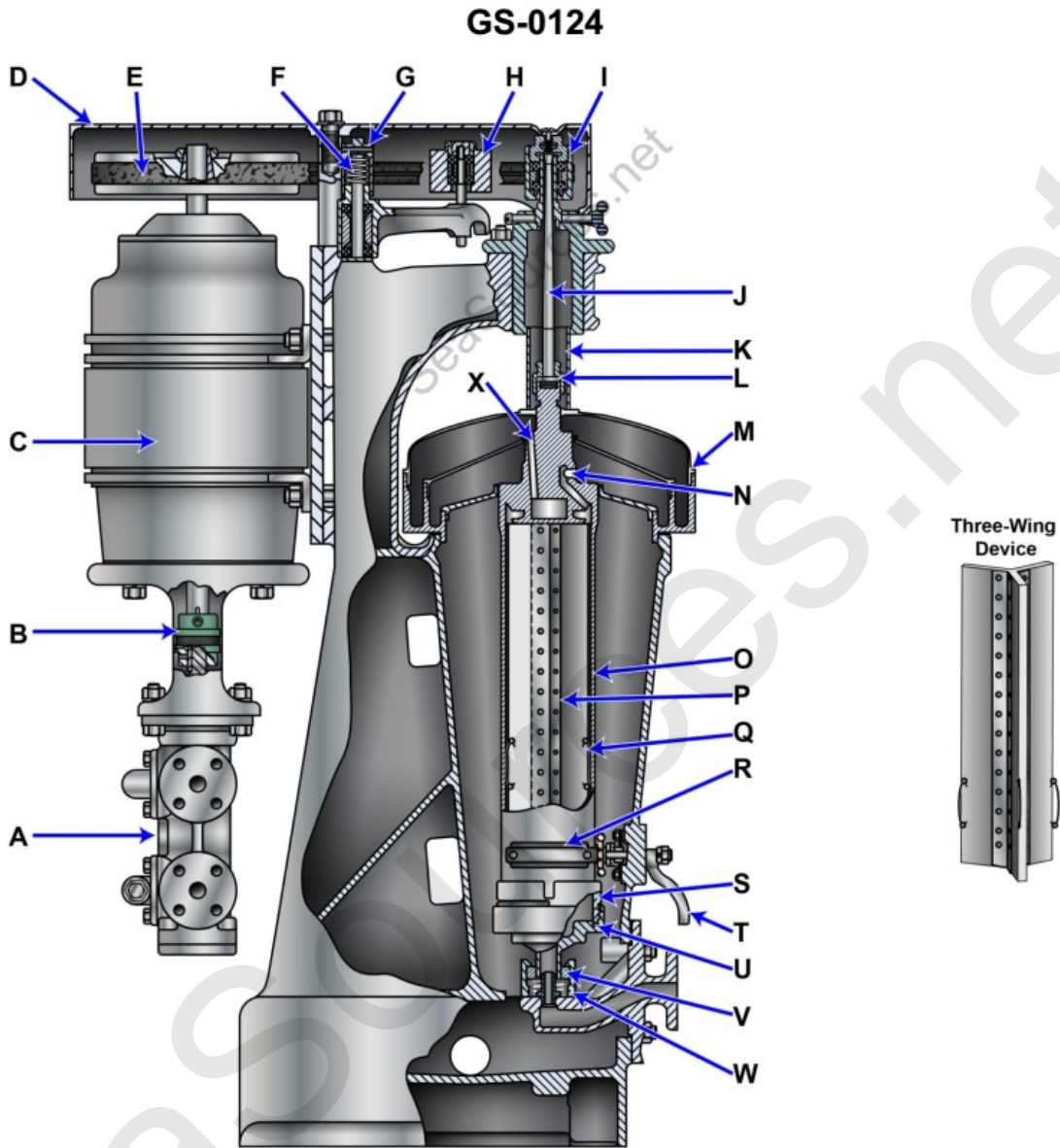


GS-0122



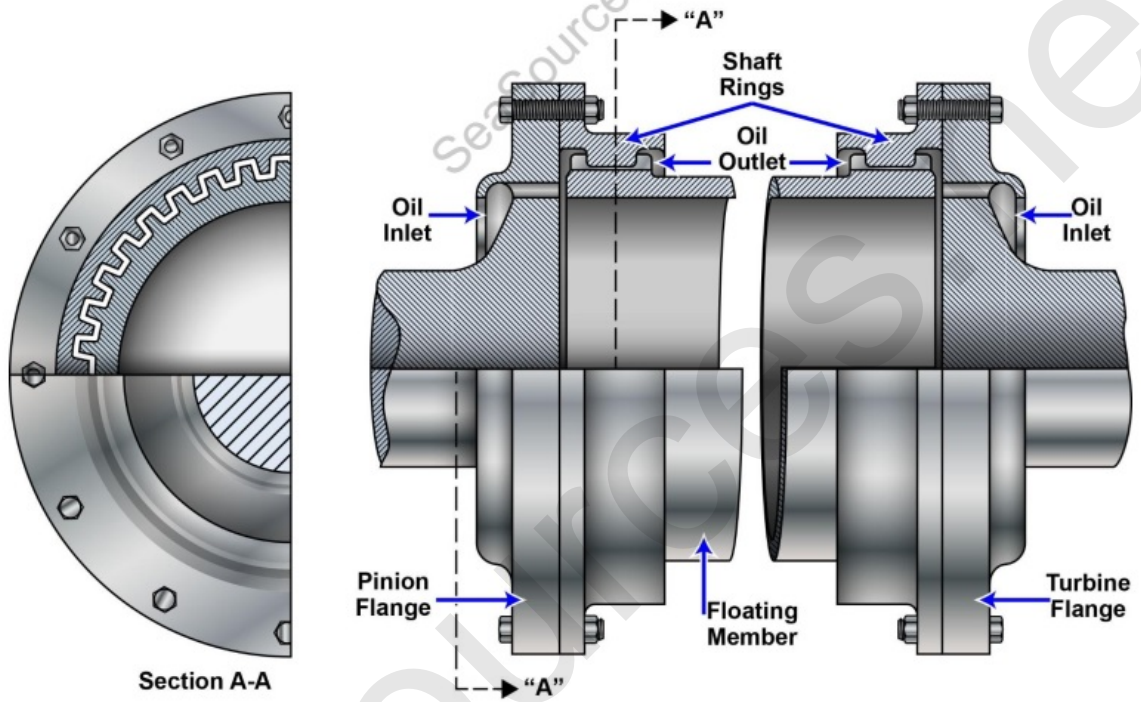
gs0122wm_092618

This Study Guide Generated For Preview Only.
Download the complete studyguide Here.
<https://cgexams.seasources.net>



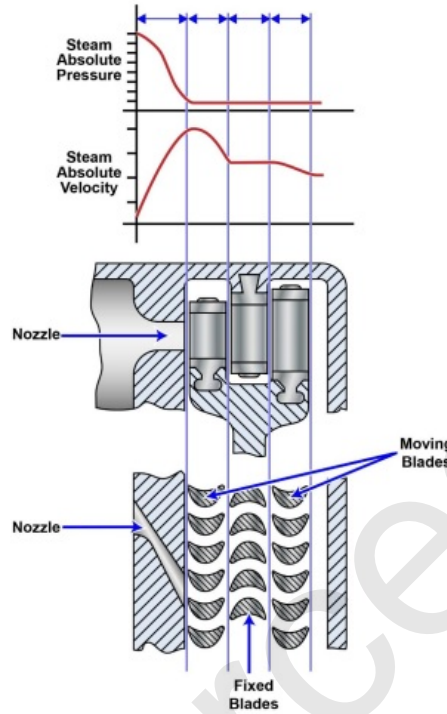
gs0124_wm_092618

SE-0001



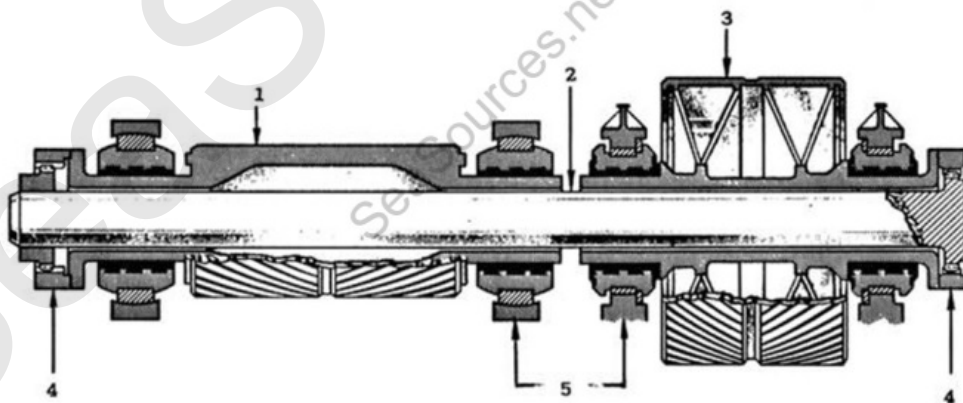
se0001_wm_100118

SE-0003



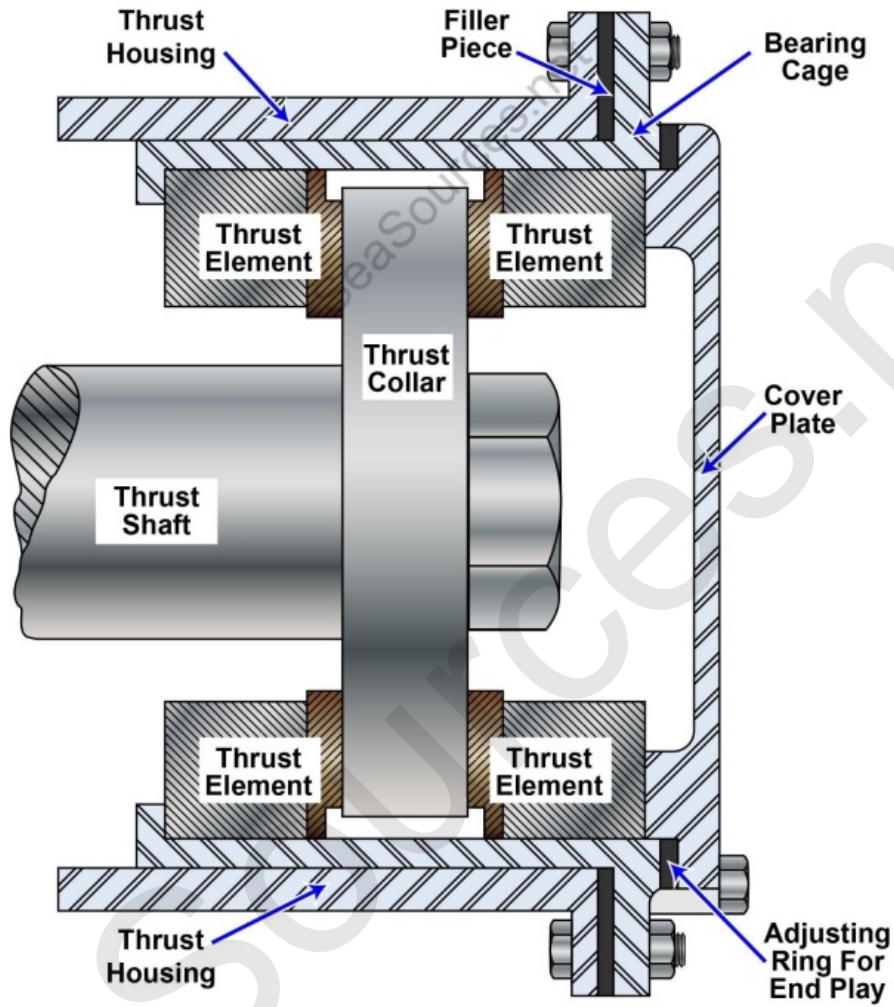
se0003_wm_080621

SE-0005



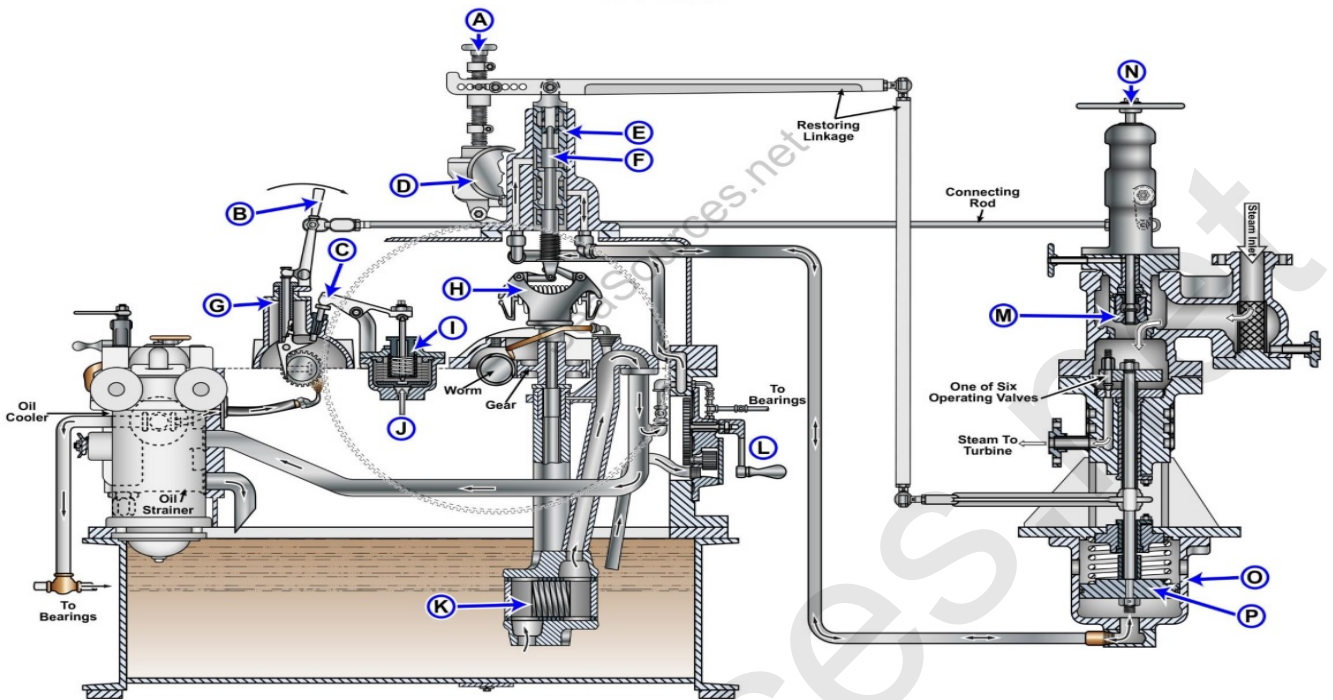
se0005wm_052615

SE-0007



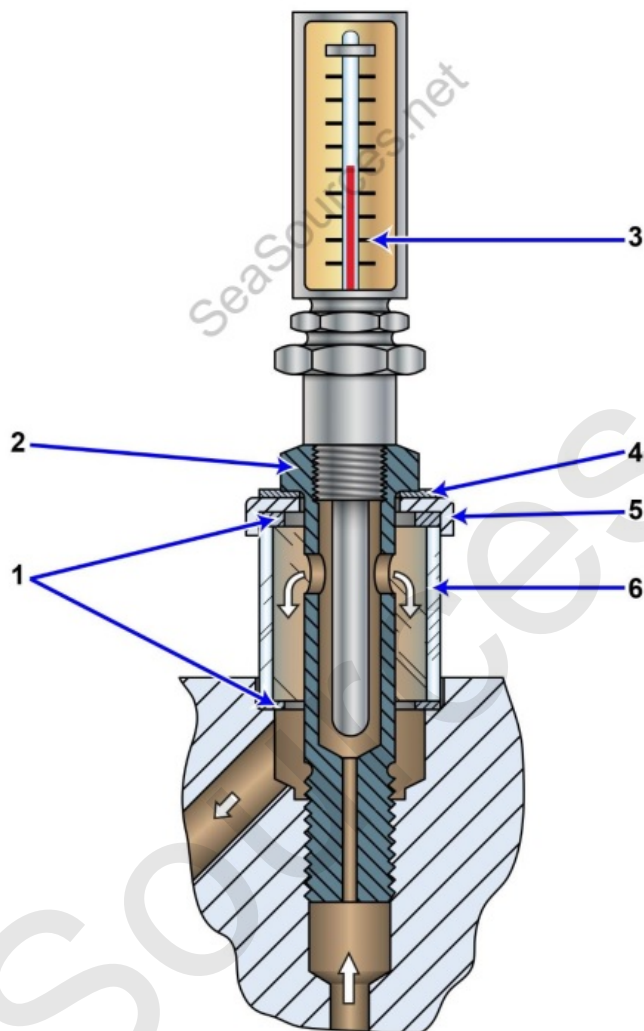
se0007wm_100118

SE-0009



se0009_wm_100118

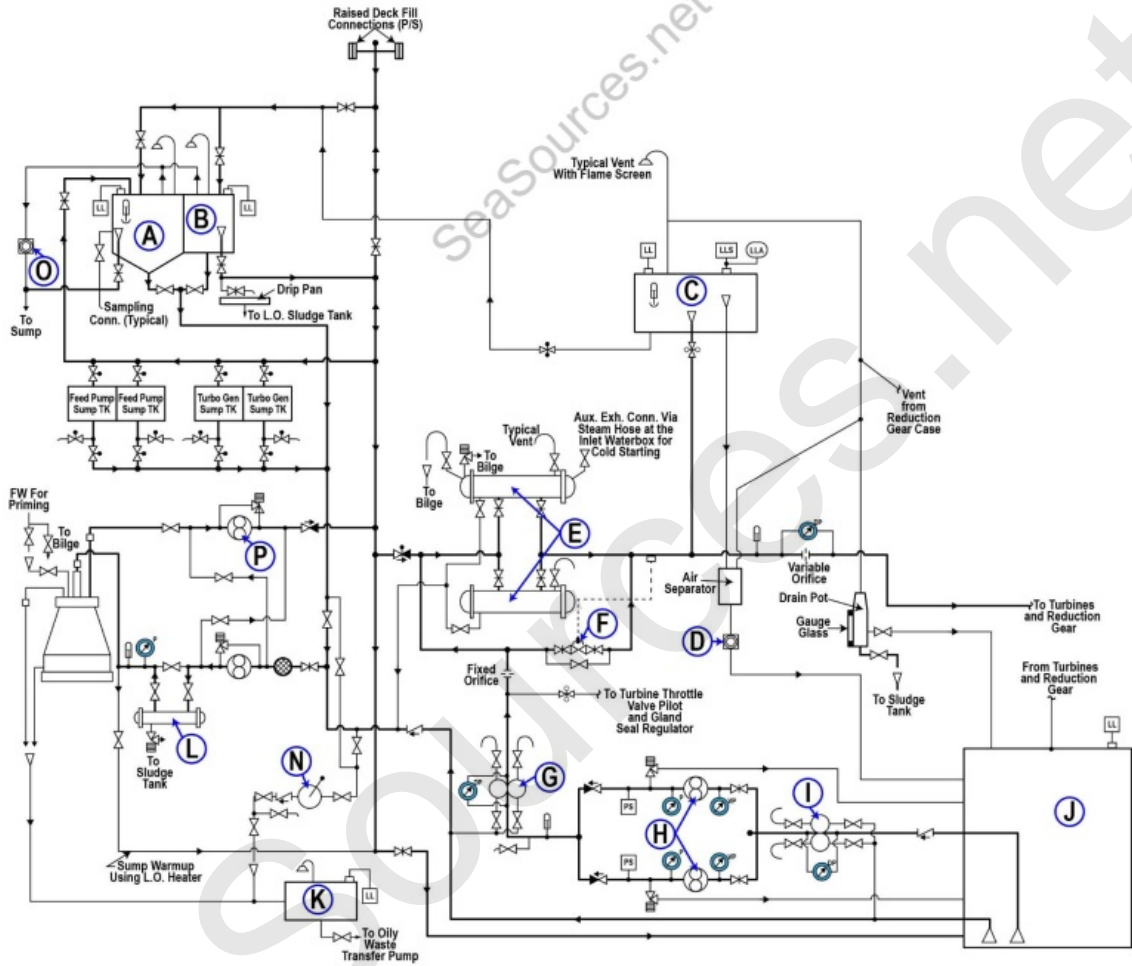
SE-0010



se0010_wm_100118

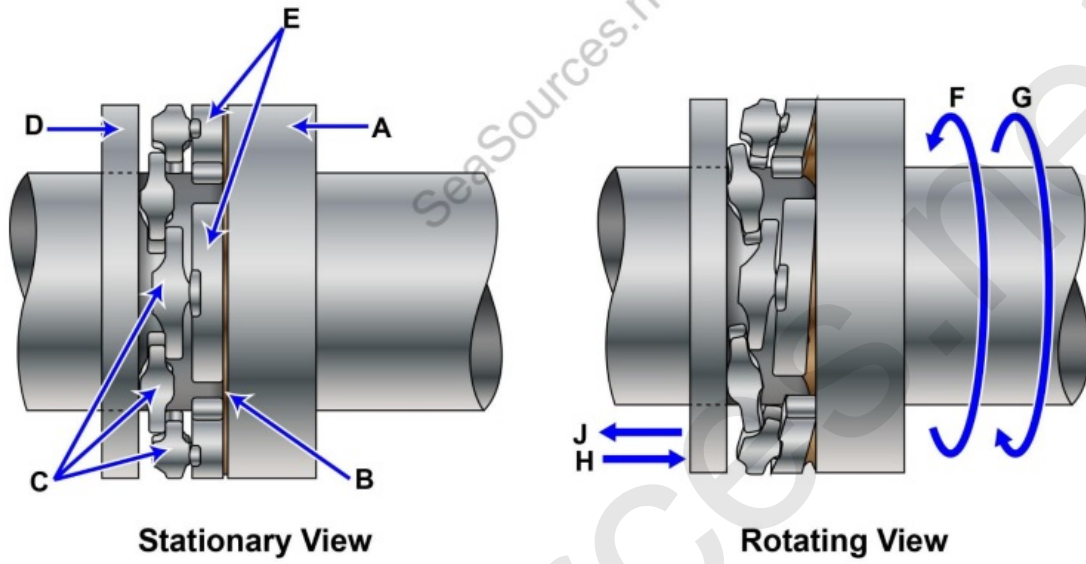
SE-0011

Steam Plant Lubricating-Oil System



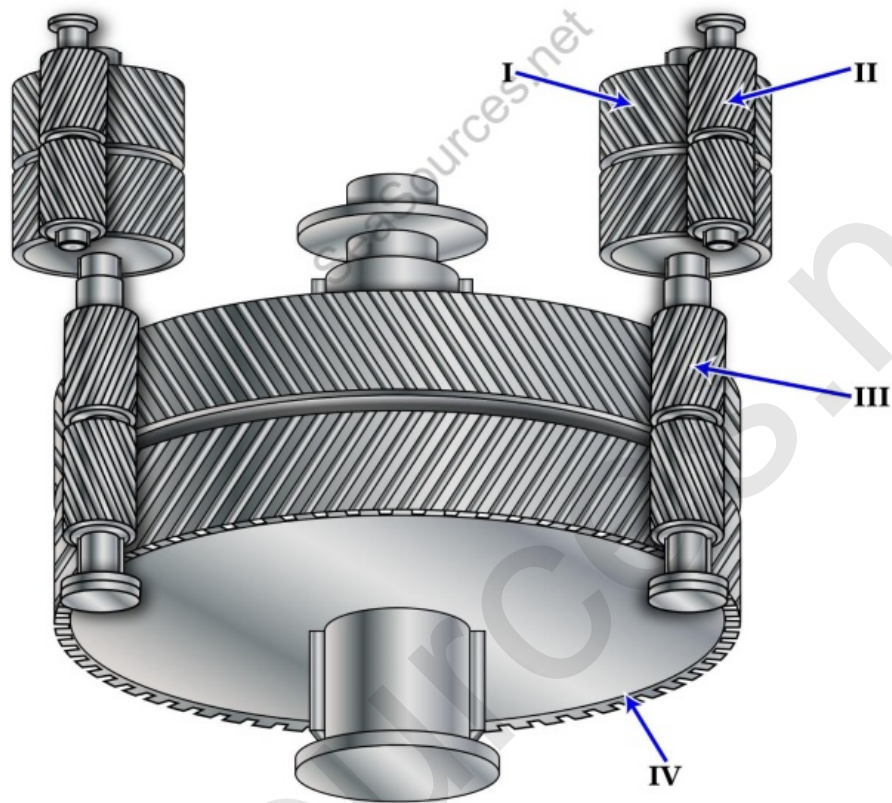
se0011_wm_030619

SE-0012



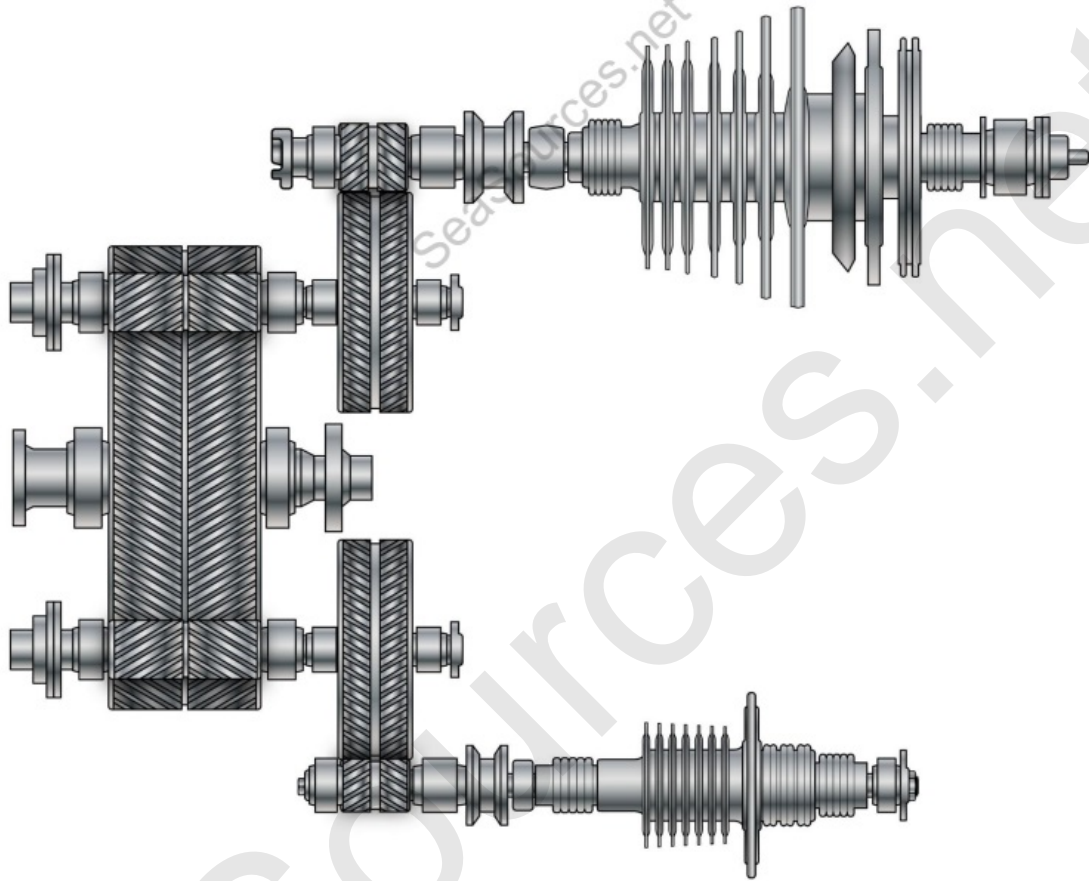
se0012_wm_100118

SE-0013



se0013_wm_100118

SE-0016



se0016_wm_100118