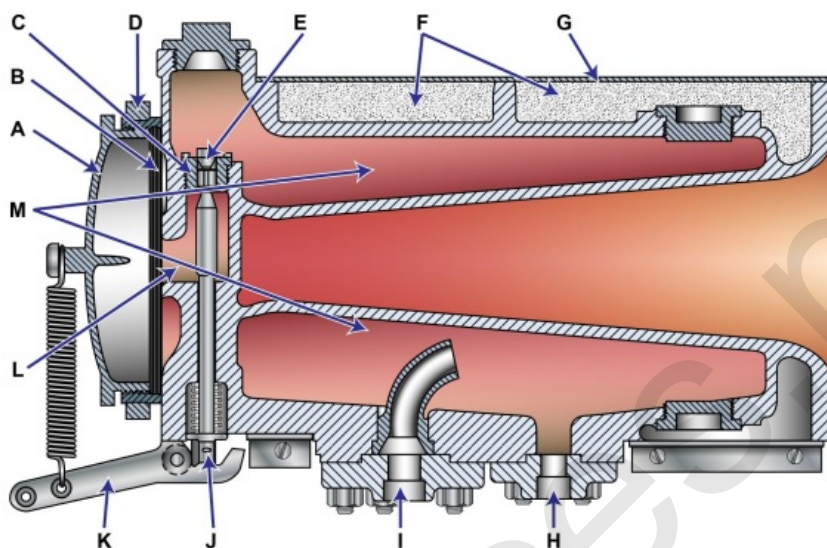


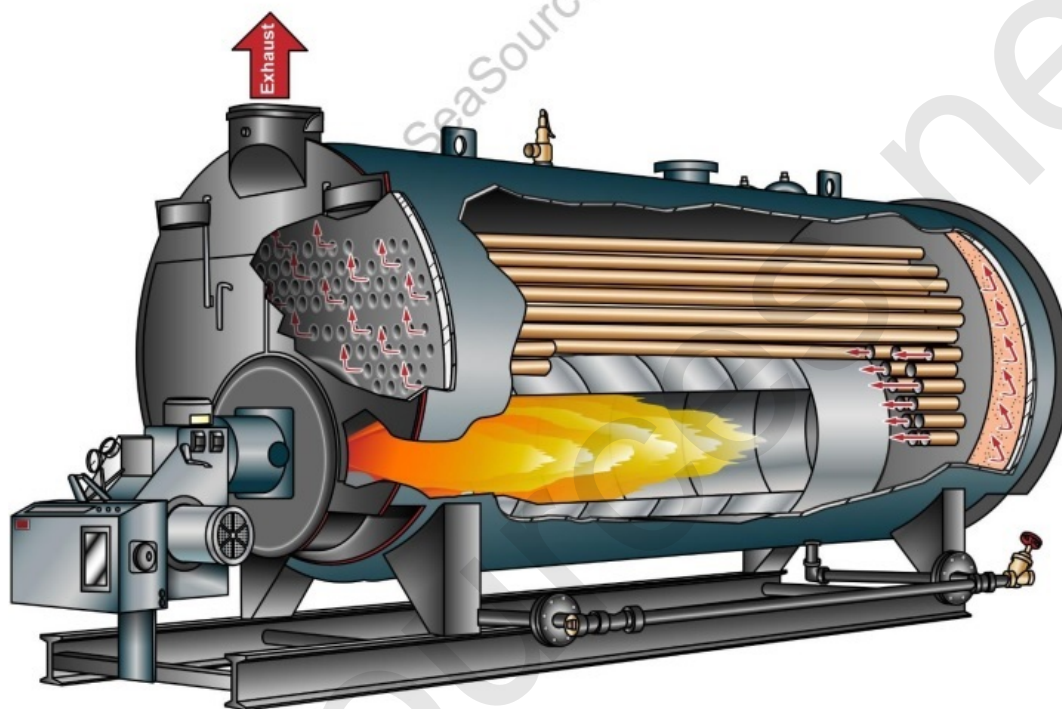
GS-0099



gs0099_wm_092518

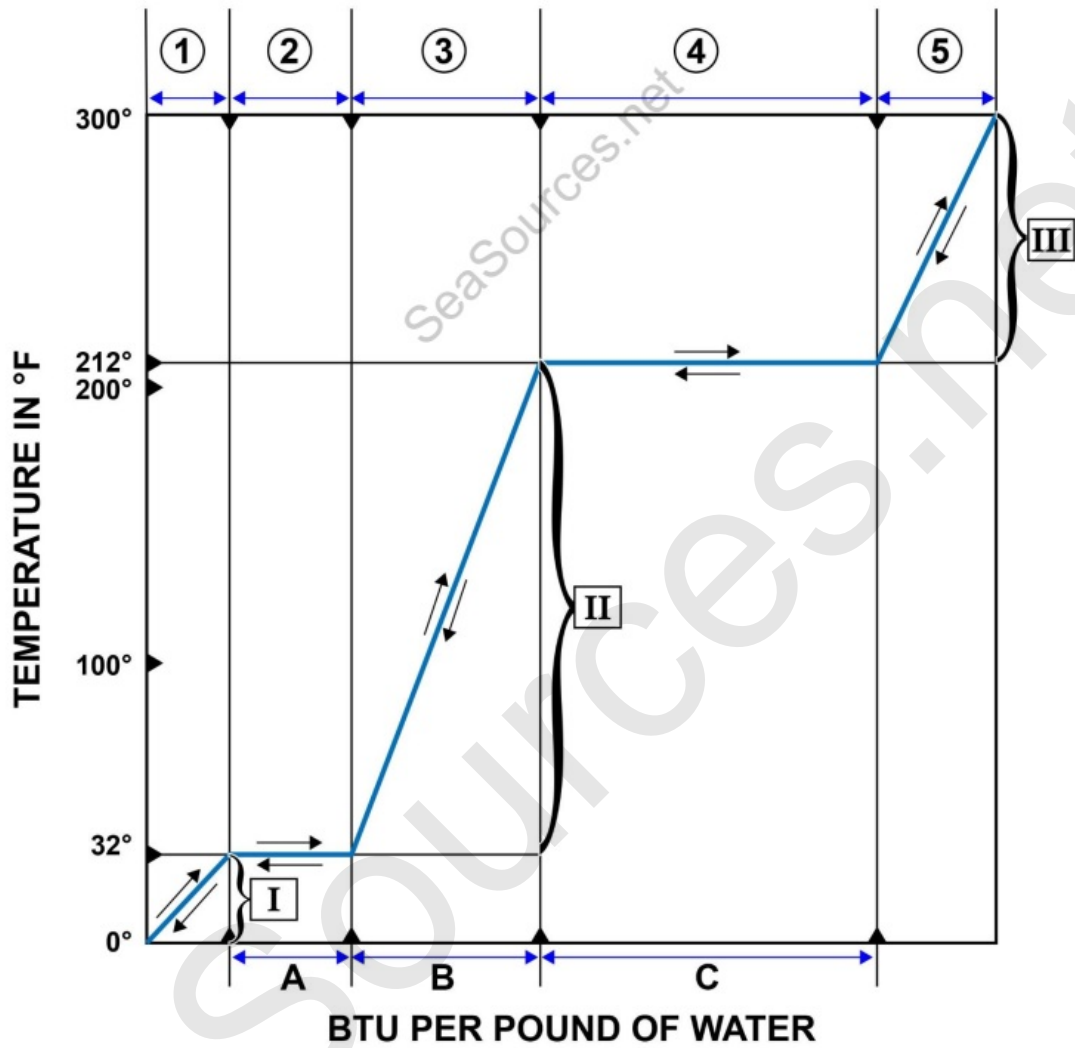
This Study Guide Generated For Preview Only. Download
the complete studyguide Here.
<https://cgexams.seasources.net>

MO-0064



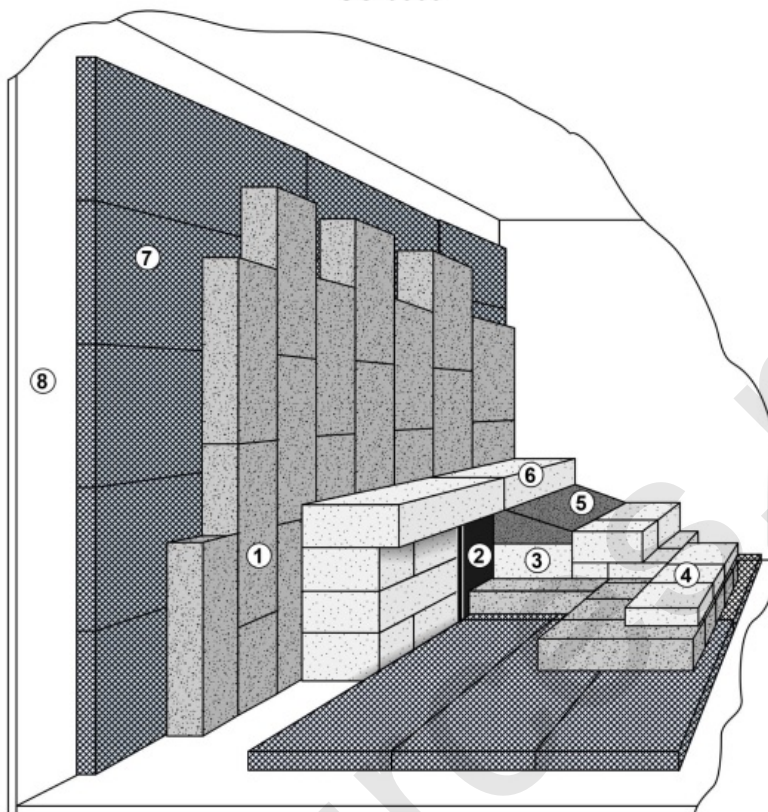
mo0064_wm_101918

SG-0001



sg0001_wm_100218

SG-0003



sg0003_wm_070221

SG-0004

Table 1
Thermodynamic Properties of Saturated Steam (Temperature)

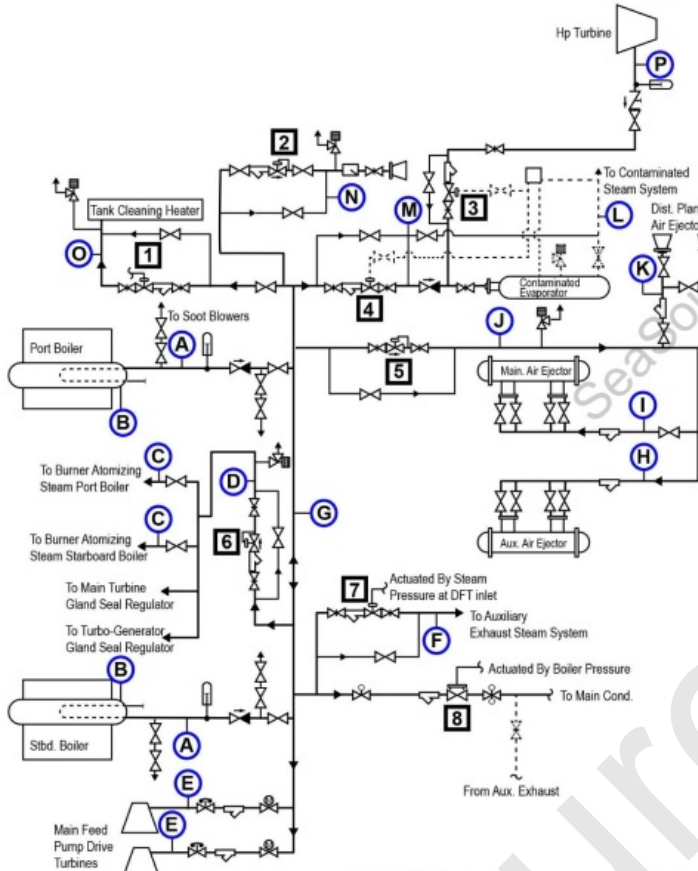
Temp, °F	Absolute Pressure, psi	Enthalpy (BTU/lb) of Liquid	Enthalpy (BTU/lb) of Evaporation	Enthalpy (BTU/lb) of vapor
32	0.08859	0.01	1075.5	1075.5
40	0.12170	8.05	1071.3	1079.3
50	0.17811	18.07	1065.6	1083.7
60	0.25630	28.06	1059.9	1088.0
70	0.36310	38.04	1054.3	1092.3
80	0.50690	43.02	1048.6	1096.6
90	0.69820	57.99	1042.9	1100.9
100	0.94920	67.97	1037.2	1105.2
110	1.27480	77.94	1031.6	1109.5
120	1.69240	87.92	1025.8	1113.7
130	2.22250	97.90	1020.0	1117.9
140	2.88860	107.90	1014.1	1122.0
150	3.71800	117.90	1008.2	1126.1
160	4.74100	127.90	1002.3	1130.2
170	5.99200	137.90	996.3	1134.2
180	7.51000	147.90	990.2	1138.1
190	9.33900	157.90	984.1	1142.0
200	11.52600	168.00	977.9	1145.9
212	14.69600	180.00	970.4	1150.4
220	17.18600	188.10	965.2	1153.4
240	24.96900	208.30	952.2	1160.5
280	49.20300	249.10	924.7	1173.8
300	67.01300	269.60	910.1	1179.7
340	118.01000	311.10	879.0	1190.1
380	195.77000	353.50	844.6	1198.1
400	247.31000	375.00	826.0	1201.0

Table 2
Thermodynamic Properties of Saturated Steam (Pressure)

Absolute Pressure, psi	Temp, °F	Enthalpy (BTU/lb) of Liquid	Enthalpy (BTU/lb) of Evaporation	Enthalpy (BTU/lb) of vapor
0.5	79.58	47.6	1048.8	1096.4
1.0	101.74	69.7	1036.3	1106.0
5.0	162.24	130.1	1001.0	1131.1
10.0	193.21	161.2	982.1	1143.3
14.7	212.00	180.0	970.4	1150.4
15.0	213.03	181.1	969.7	1150.8
20.0	227.96	196.2	960.1	1156.3
25.0	240.07	208.5	952.1	1160.6
30.0	250.33	218.8	945.3	1164.1
40.0	267.25	236.0	933.7	1169.7
50.0	281.01	250.1	924.0	1174.1
60.0	292.71	262.1	915.5	1177.6
70.0	302.92	272.6	907.9	1180.6
80.0	312.03	282.0	901.1	1183.1
90.0	320.27	290.6	894.7	1185.3
100.0	327.81	298.4	888.8	1187.2
110.0	334.77	305.7	883.2	1188.9
120.0	341.25	312.4	877.9	1190.4
130.0	347.32	318.8	872.9	1191.7
140.0	353.02	324.8	868.2	1193.0
150.0	358.42	330.5	863.6	1194.1
200.0	381.79	355.4	843.0	1198.4
250.0	400.95	376.0	825.1	1201.1
300.0	417.33	393.8	809.0	1202.8
350.0	431.72	409.7	794.2	1203.9
400.0	444.59	424.0	780.5	1204.5

sg0004_wm_100218

SG-0005

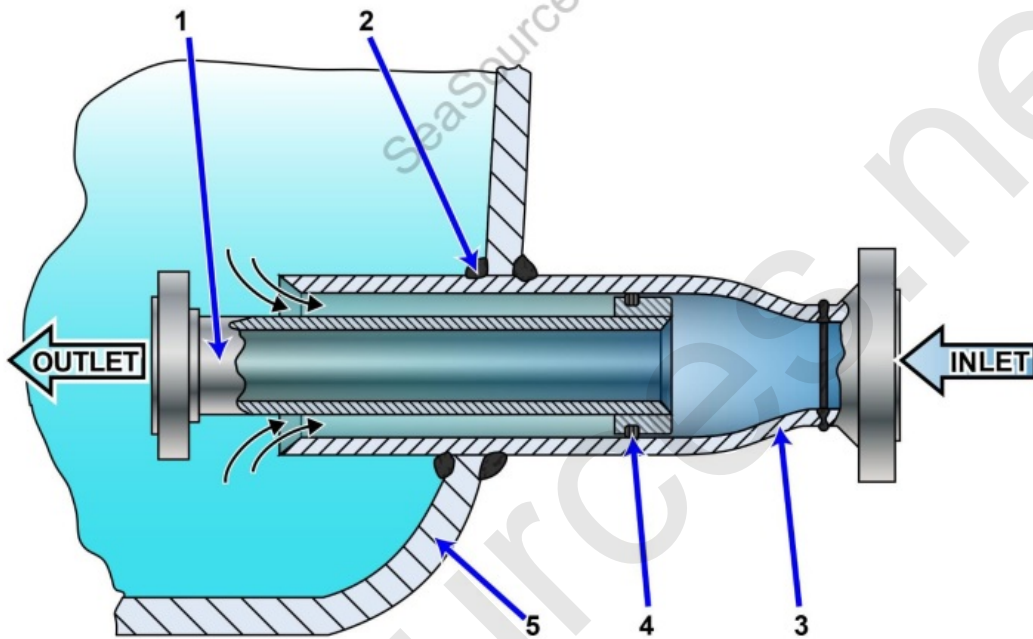


Nominal System Pressures	
Gauge	psig
A	850
B	860
C	143
D	143
E	850
F	32
G	850
H	143
I	143
J	143
K	143
L	130
M	350
N	140
O	130
P	205 (at full power)

Device Settings	
Valve	Psig
1	130
2	140
3	185
4	350
5	143
6	143
7	32
8	860

sg0005_wm_100218

SG-0006

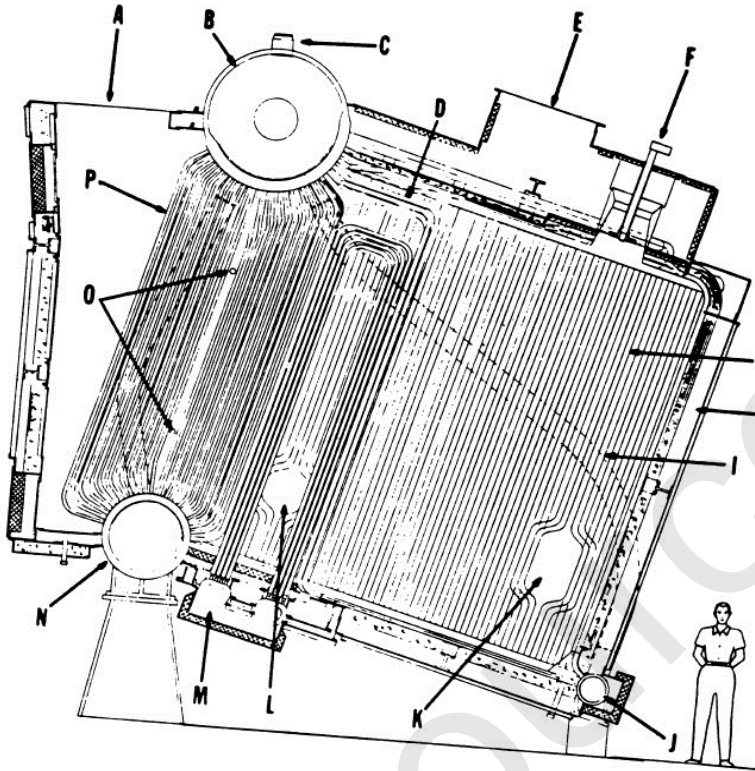


sg0006_wm_100218

SeaSources
 For information only

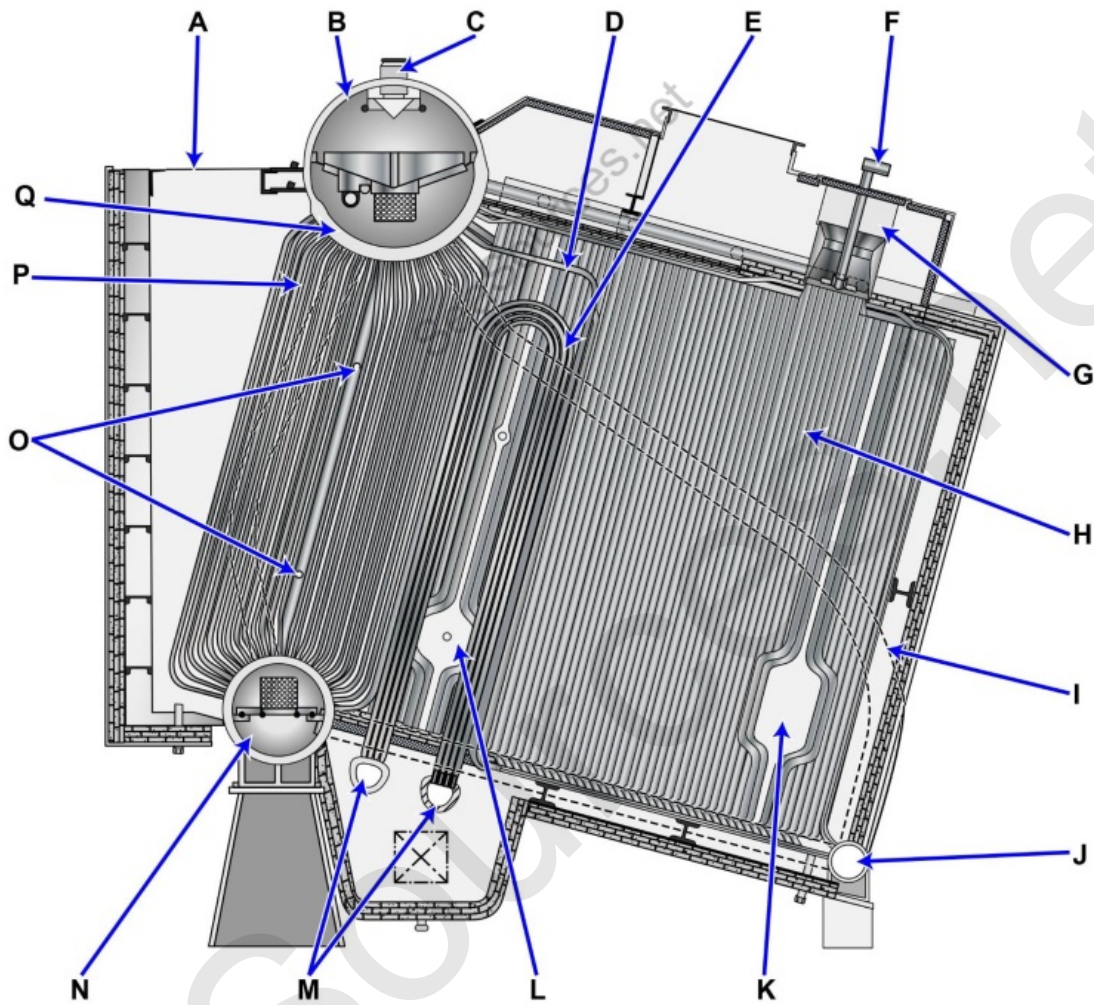
NOTE

- A=Exit to the exhaust stack.
- B=Wrapper sheet of the boiler drum.
- C=Steam outlets from drum.
- D=Screen tubes.
- E=Air intake.
- F=Burner assembly location.
- G=Generating tube bank.
- H=Air casing.
- I=Downcomers.
- J=Side Water Wall Header (at man's feet).
- K=Furnace access.
- L=Allows access to the superheater cavity.
- M=Vertical U tube superheater. "M" is actually the Header for the superheater tubes extending vertically. The superheater vent is connector to this header.
- N=Water Drum, also called the Mud Drum.
- O=Soot blower elements, to clean off soot.
- P=Generating tube bank.



sg0007b

SG-0007

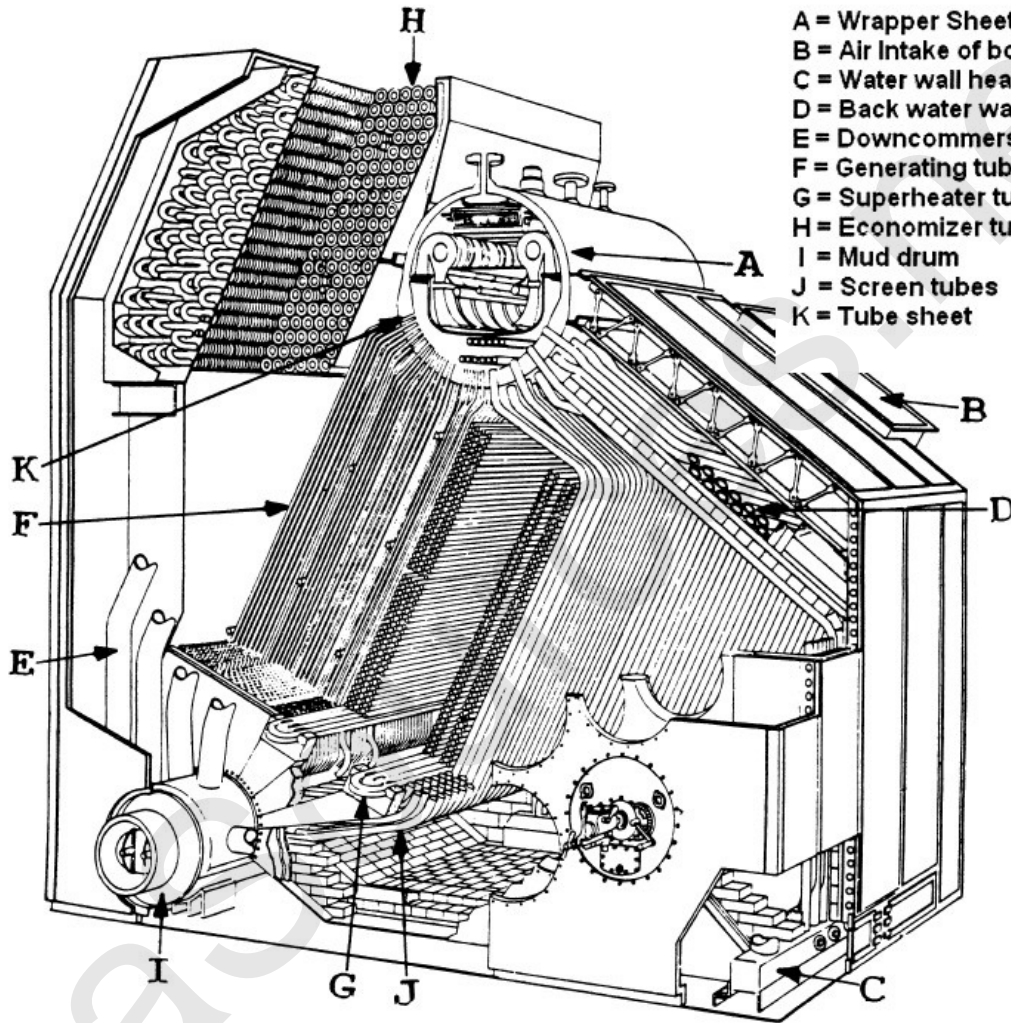


sg0007_wm_100218

SeaSources
For Info only

Notes

- A = Wrapper Sheet
- B = Air Intake of boiler
- C = Water wall header
- D = Back water wall tubes
- E = Downcomers
- F = Generating tubes
- G = Superheater tubes
- H = Economizer tubes
- I = Mud drum
- J = Screen tubes
- K = Tube sheet



sg0008b