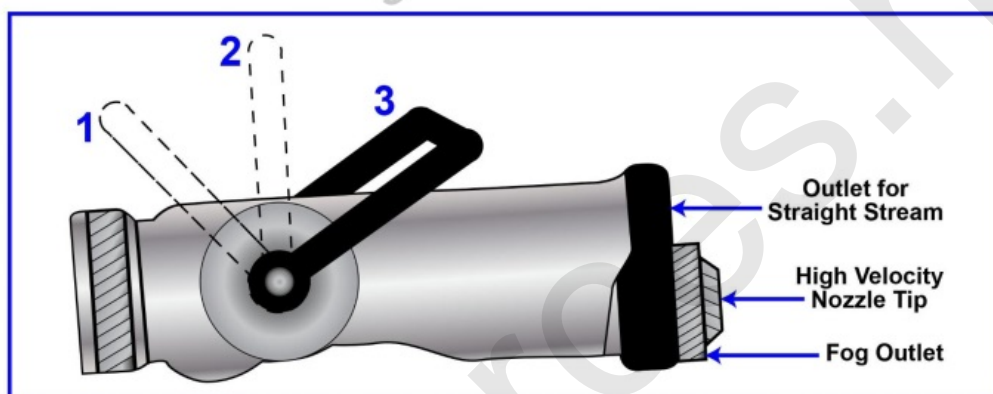


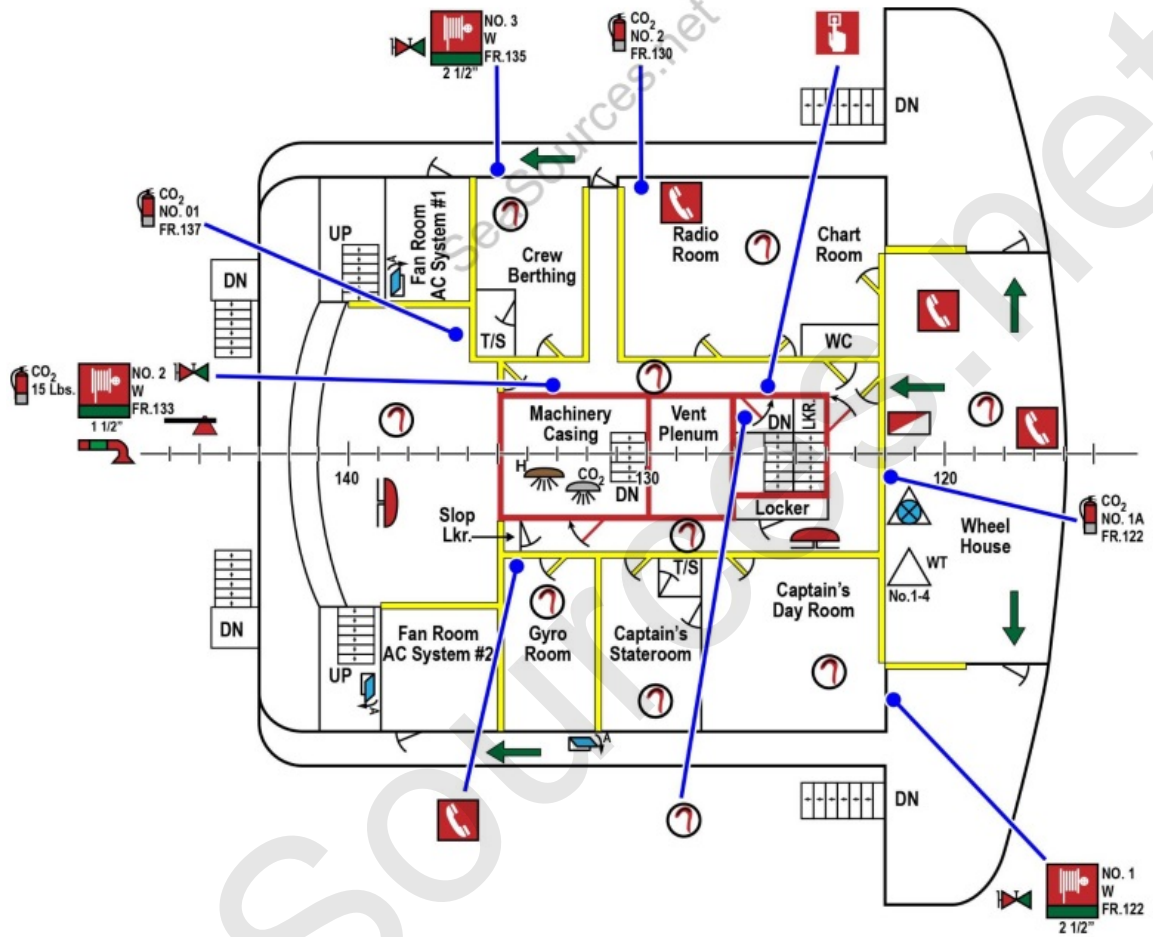
D004SA



d004sa_wm_110218

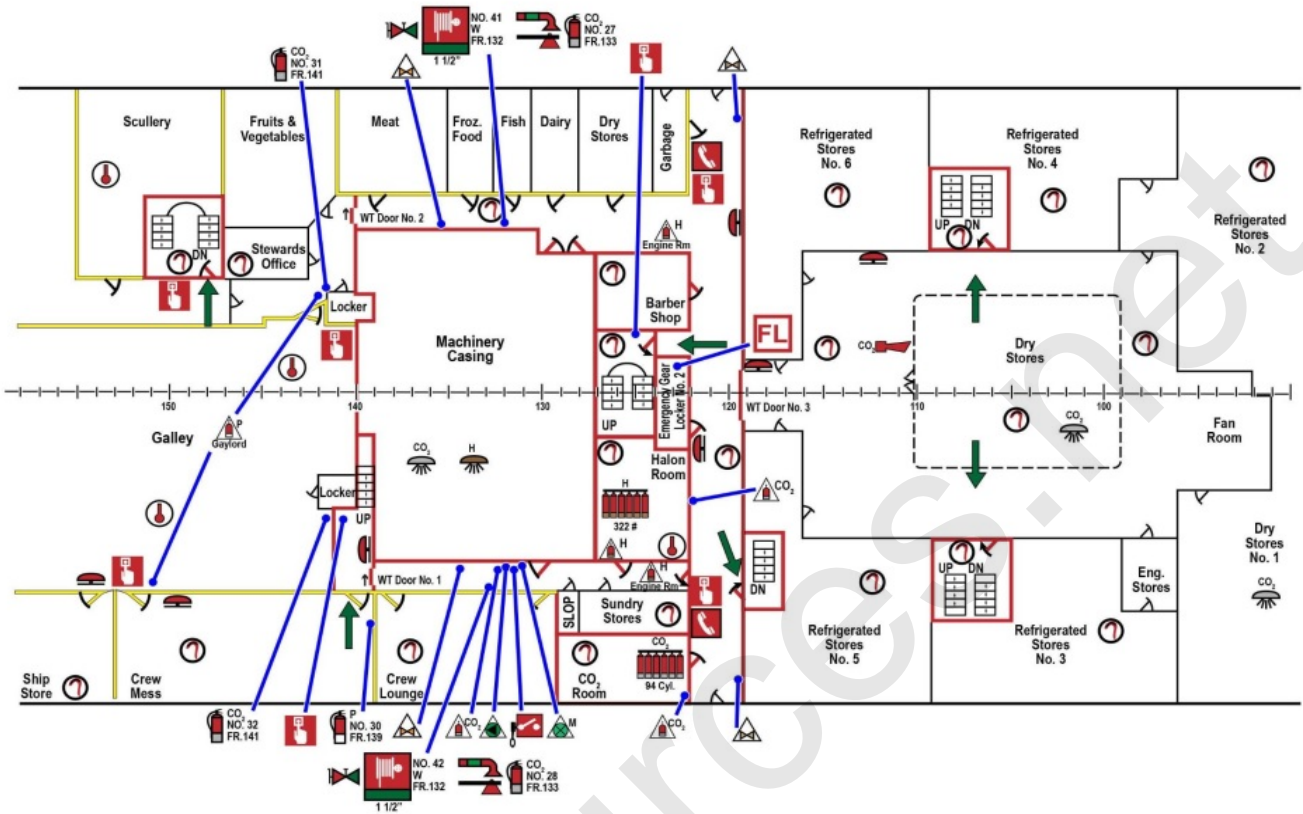
This Study Guide Generated For Preview Only.
Download the complete studyguide Here. <https://cgexams.seasources.net>

D035SA



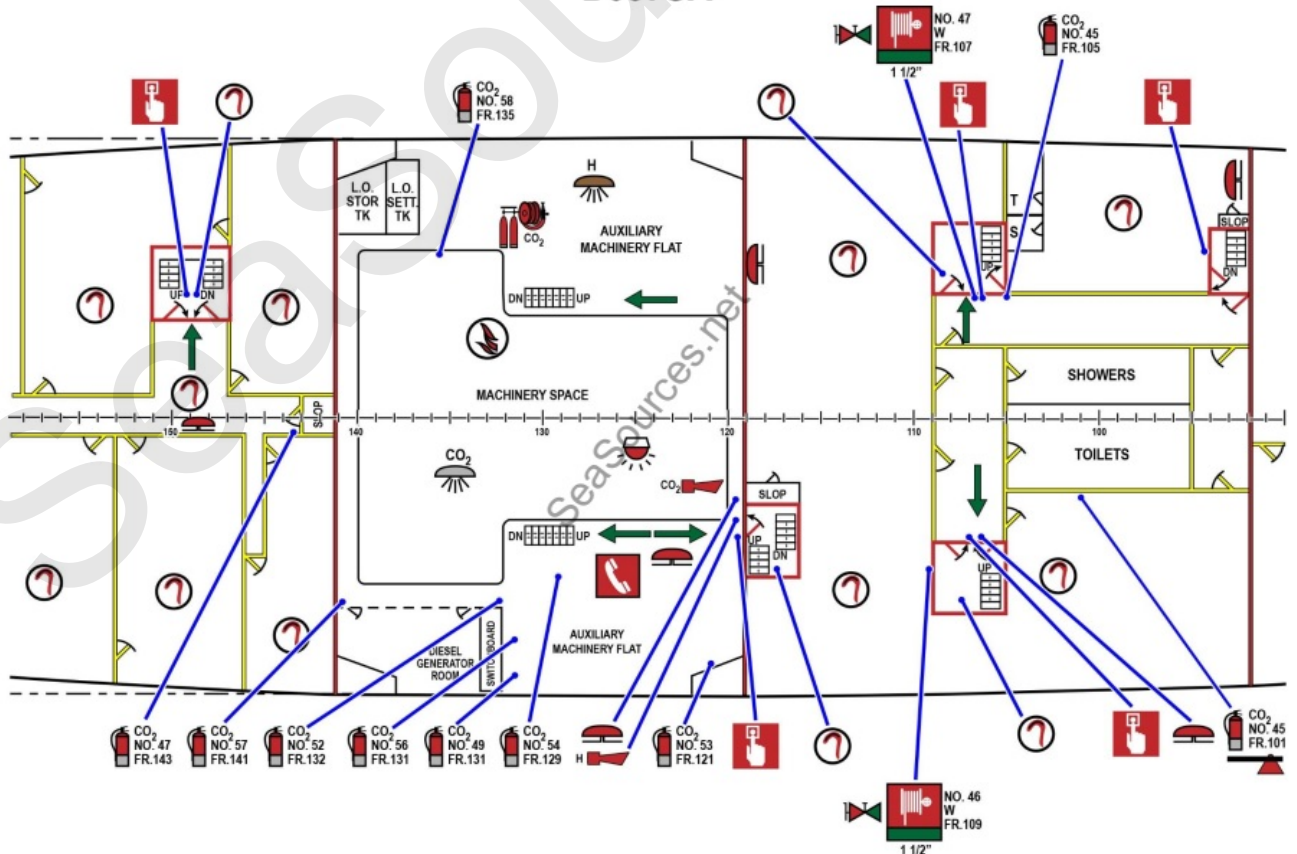
d035sa_wm_110218

D036SA

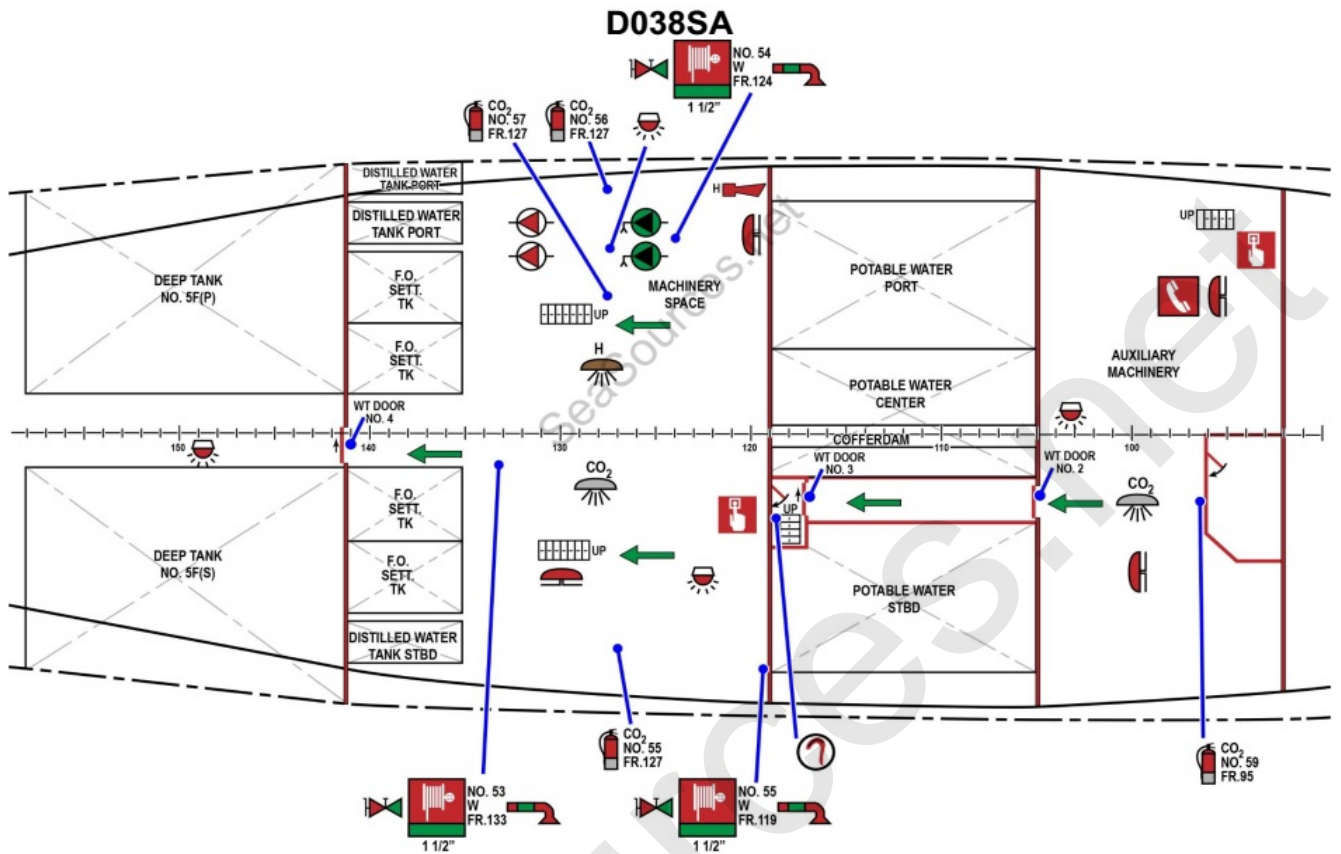


d036sa_wm_110218

D037SA

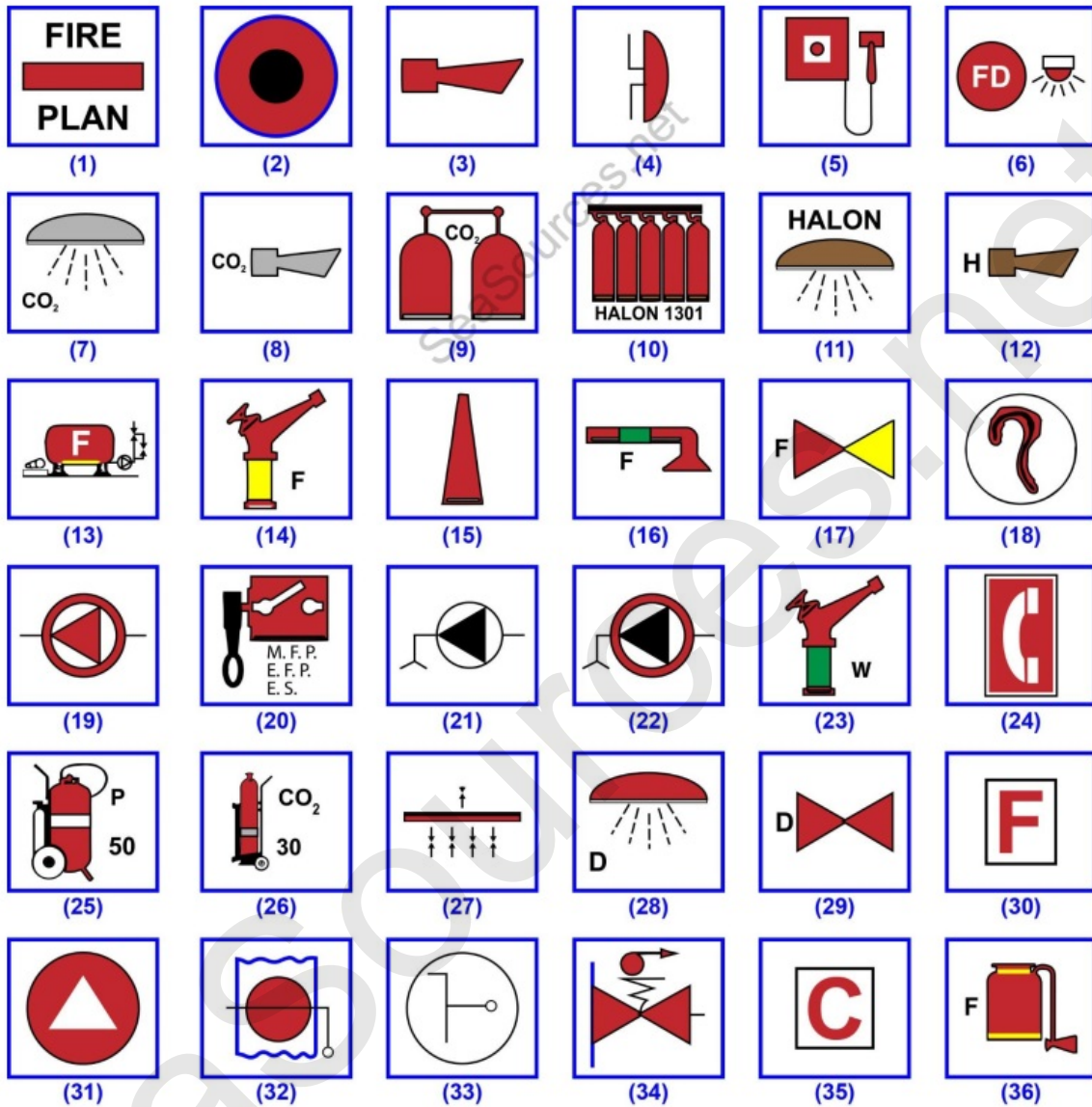


d037sa_wm_110218

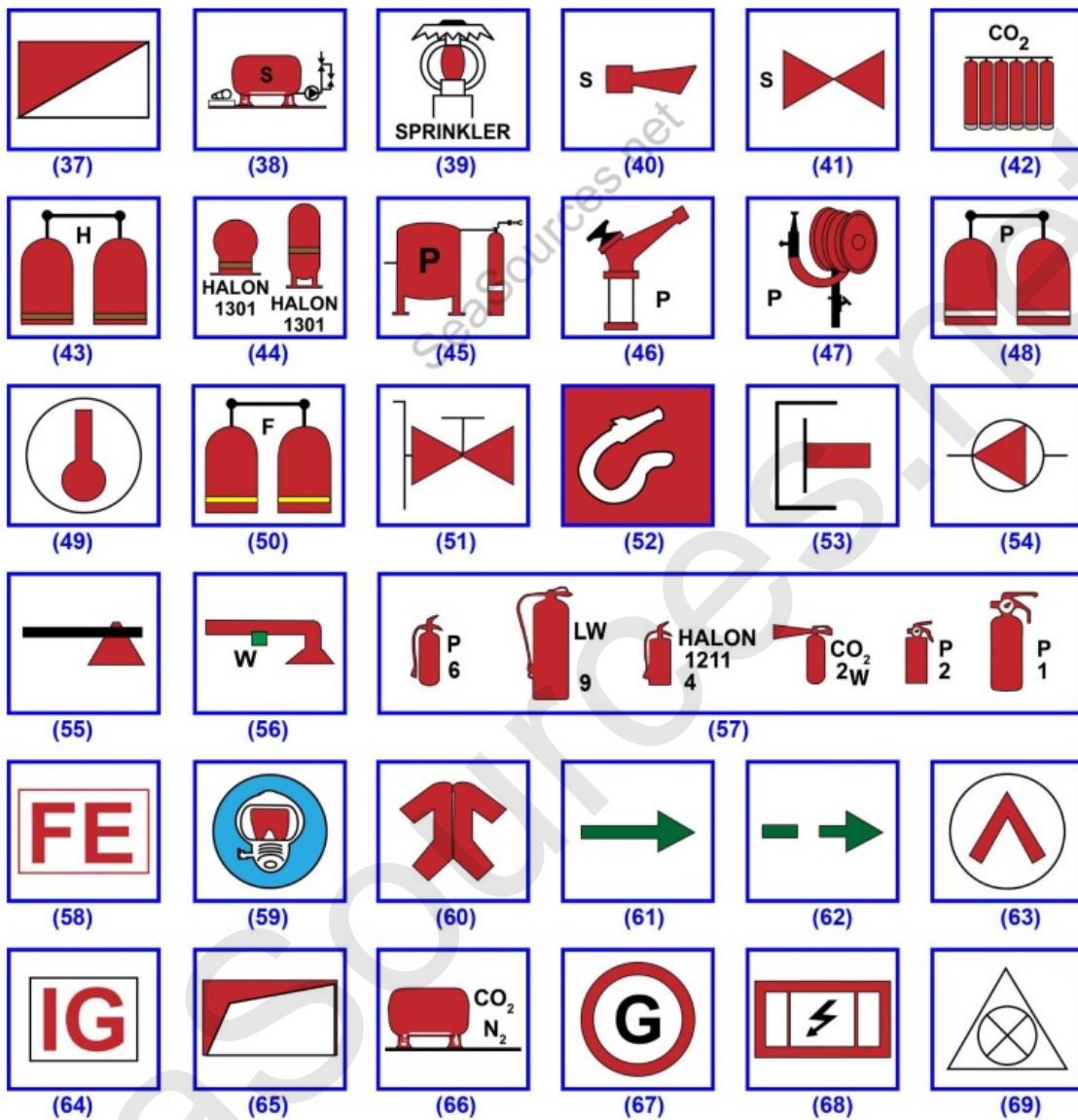


d038sa_wm_110218

D039SA Part 1 of 2



D039SA Part 2 of 2



d039sa2_wm_072020

TABLE 181.500(a)

Space protected	Minimum No. required	Type extinguisher permitted		
		CG class	Medium	Min size
Operating Station	1	B-I, C-I	Halon CO2 Dry Chemical	1.1 kg (2.5 lb). 1.8kg (4 lb). 0.9 kg (2 lb). 6.8 kg (15 lb).
Machinery Space	1	B-II, C-II located just outside exit.	Dry chemical CO2	4.5 kg (10 lb). 9.5 L (2.5 gal).
Open Vehicle Deck	1 for every 10 vehicles.	B-II	Halon CO2 Dry Chemical Foam	4.5 kg (10 lb). 6.8 kg (15 lb). 4.5 kg (10 lb). 9.5 L (2.5 gal). 4.5 kg (10 lb).
Accommodation Space	1 for each 232.3 square meters (2,500 square feet) or fraction thereof.	A-II	Halon CO2 Dry Chemical Foam Dry Chemical	4.5 kg (10 lb). 6.8 kg (15 lb). 4.5 kg (10 lb). 9.5 L (2.5 gal). 4.5 kg (10 lb).
Galley, Pantry, Concession Stand.	1	A-II, B-II	Foam Dry Chemical	9.5 L (2.5 gal). 4.5 kg (10 lb).

table 181.500 portable fire extinguisher