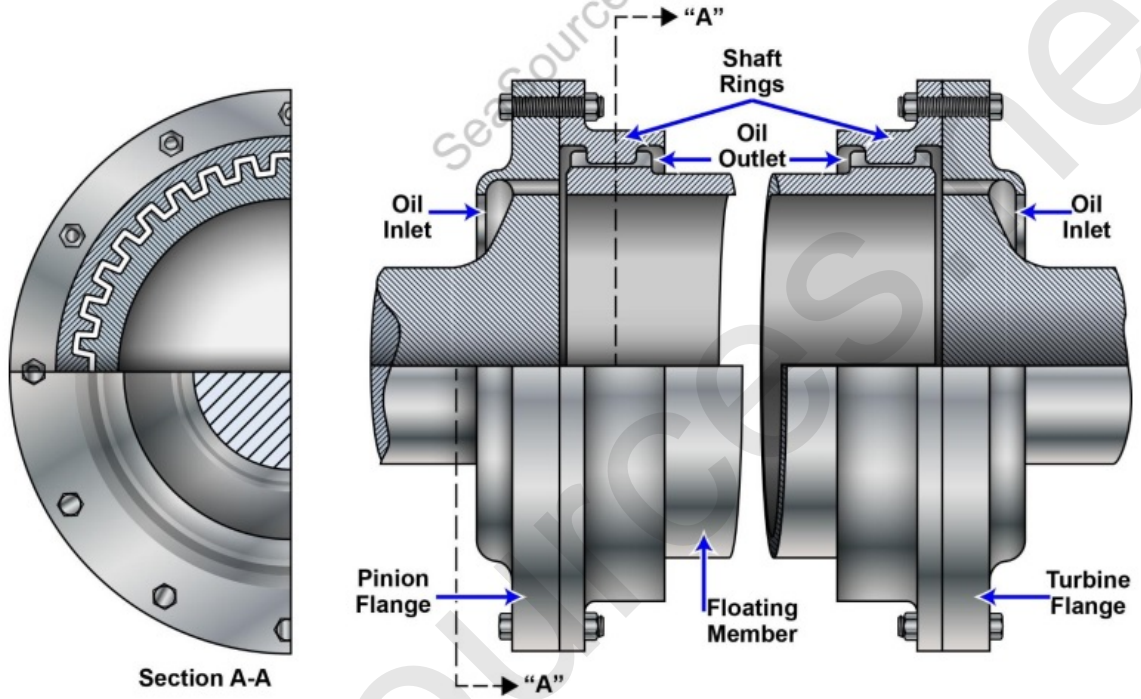


gs0124\_wm\_092618

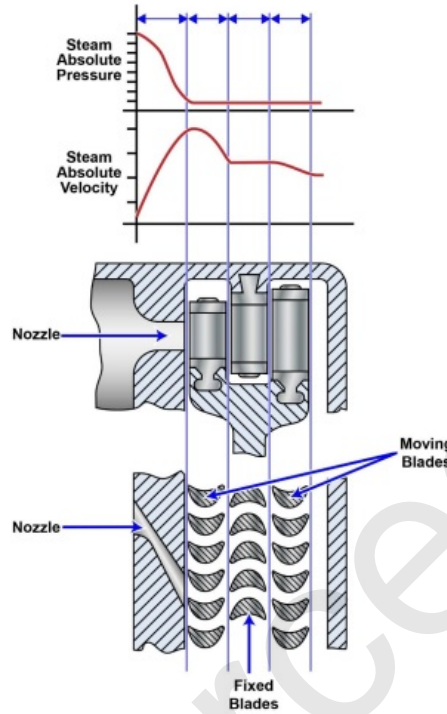
This Study Guide Generated For Preview Only. Download the complete studyguide Here.  
<https://cgexams.seasources.net>

SE-0001



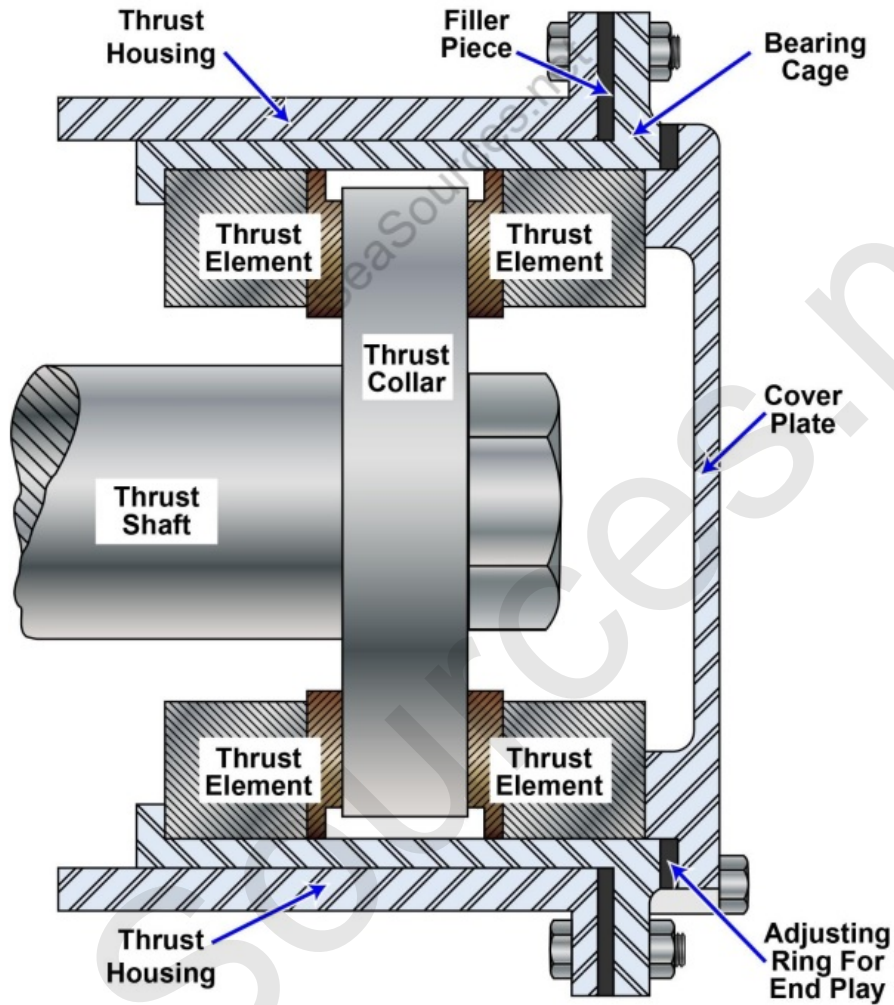
se0001\_wm\_100118

SE-0003



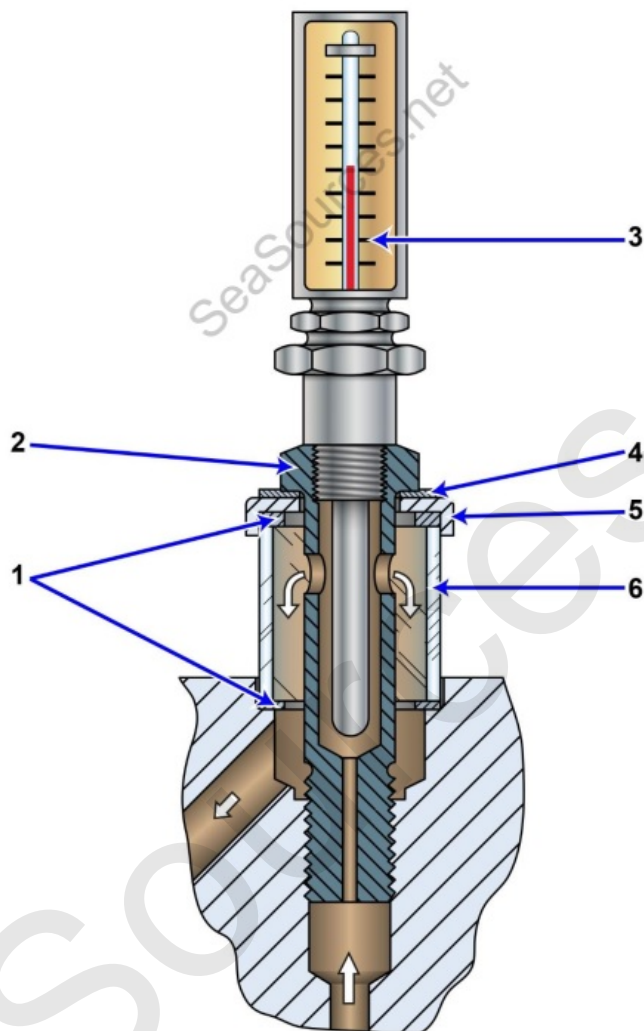
se0003\_wm\_080621

SE-0007



se0007wm\_100118

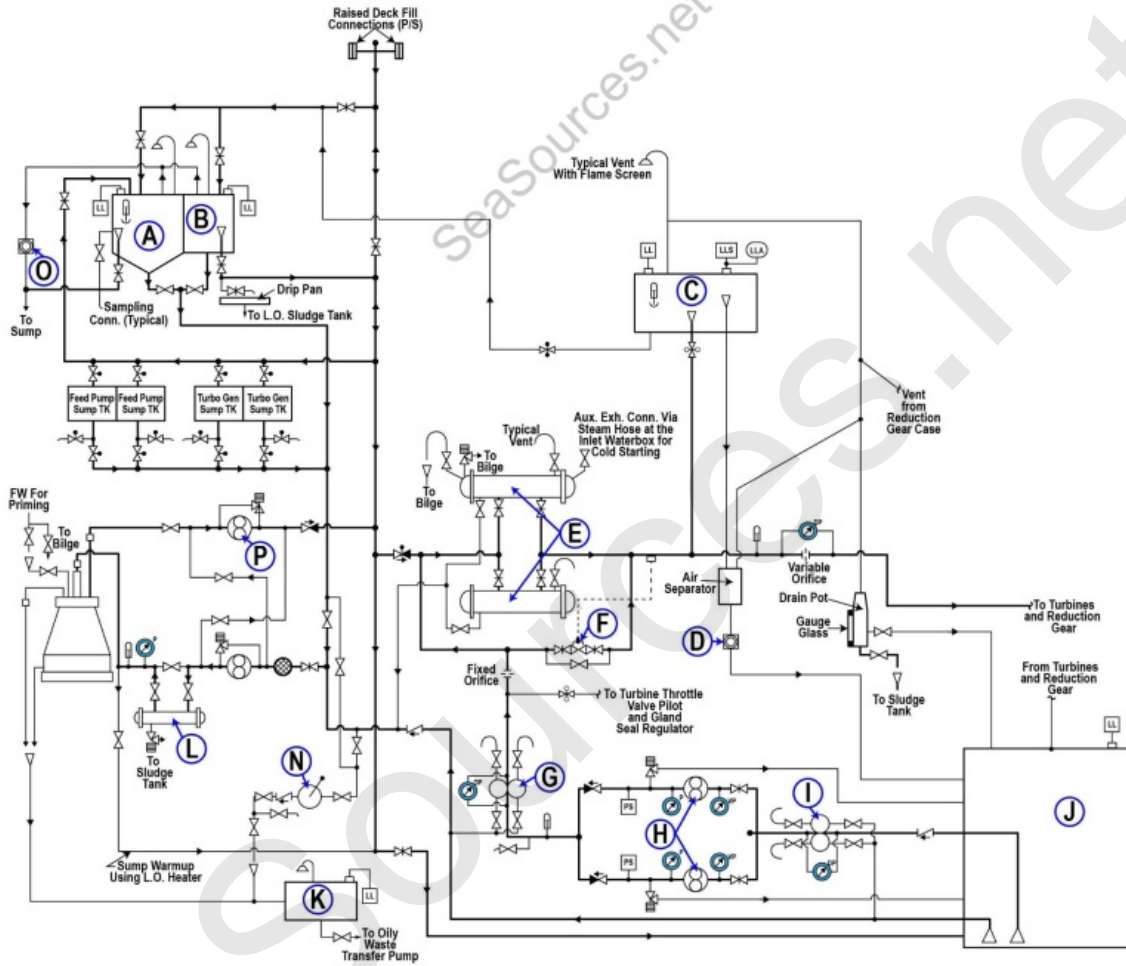
SE-0010



se0010\_wm\_100118

SE-0011

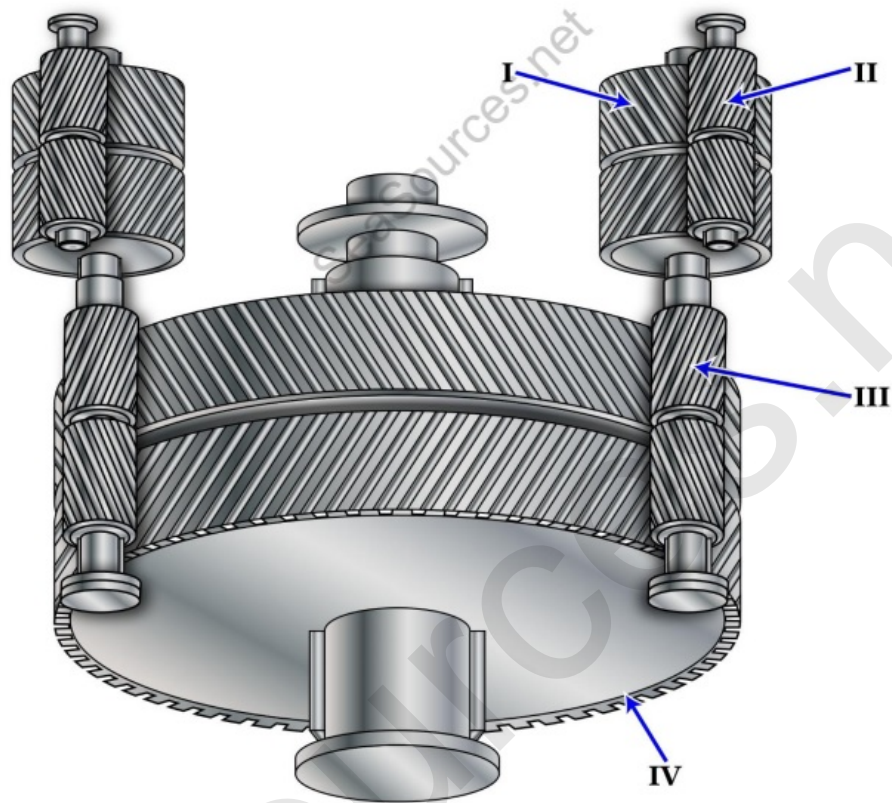
Steam Plant Lubricating-Oil System



se0011\_wm\_030619

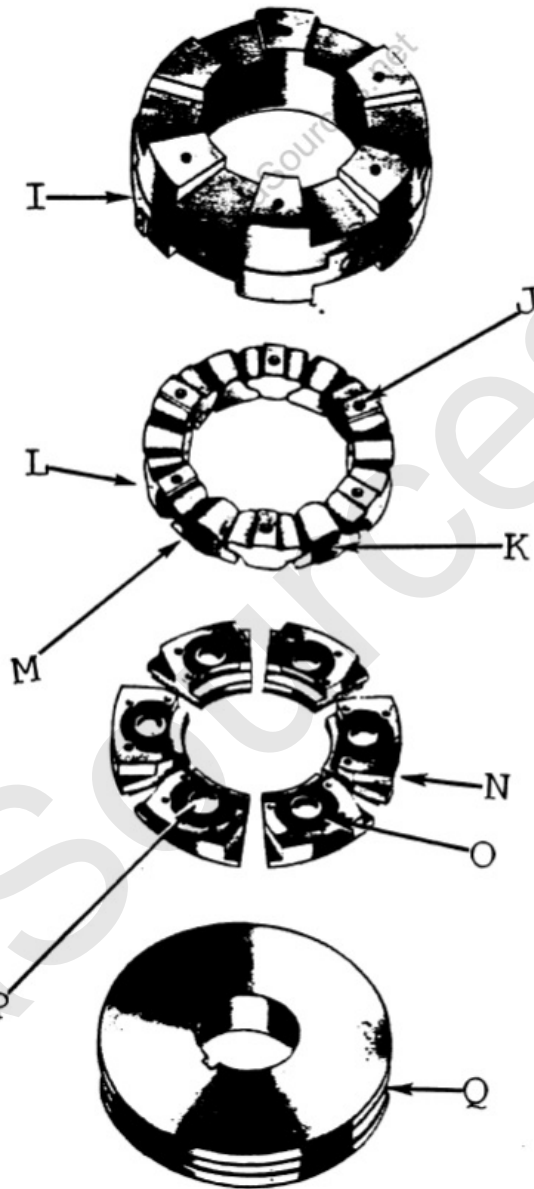


SE-0013



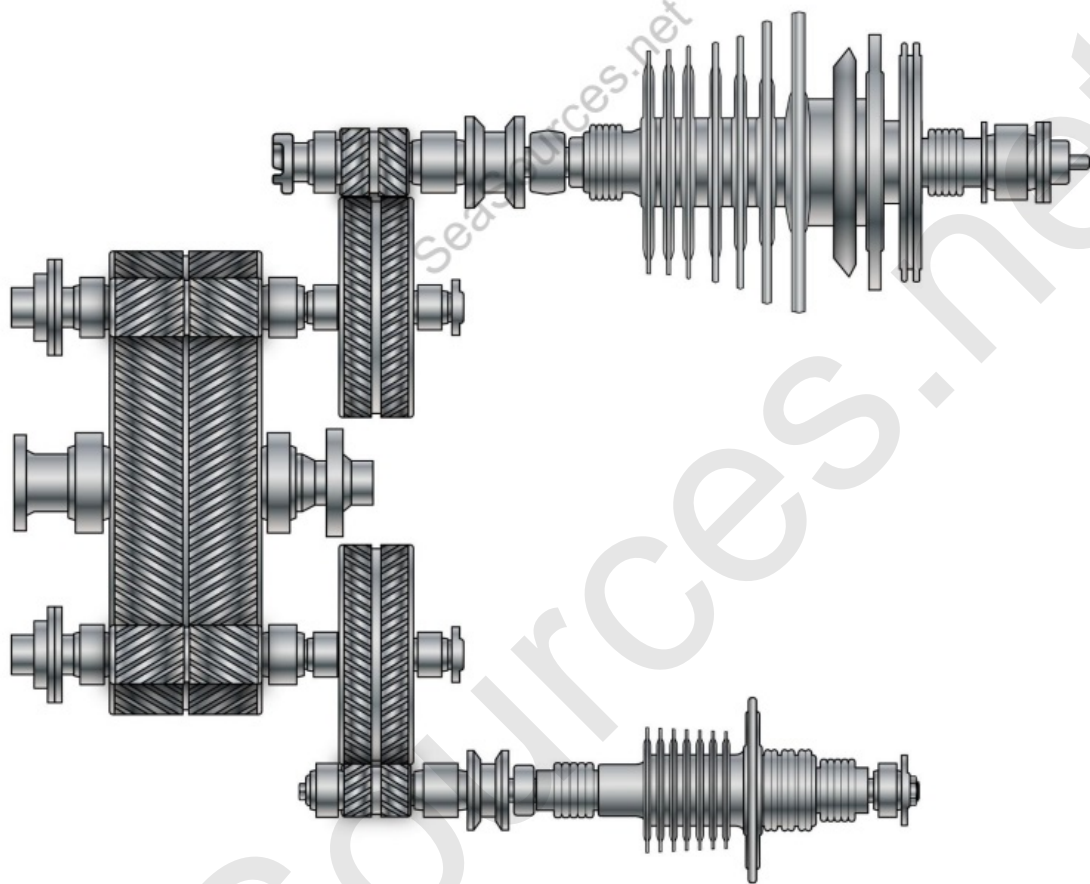
se0013\_wm\_100118

SE-0014



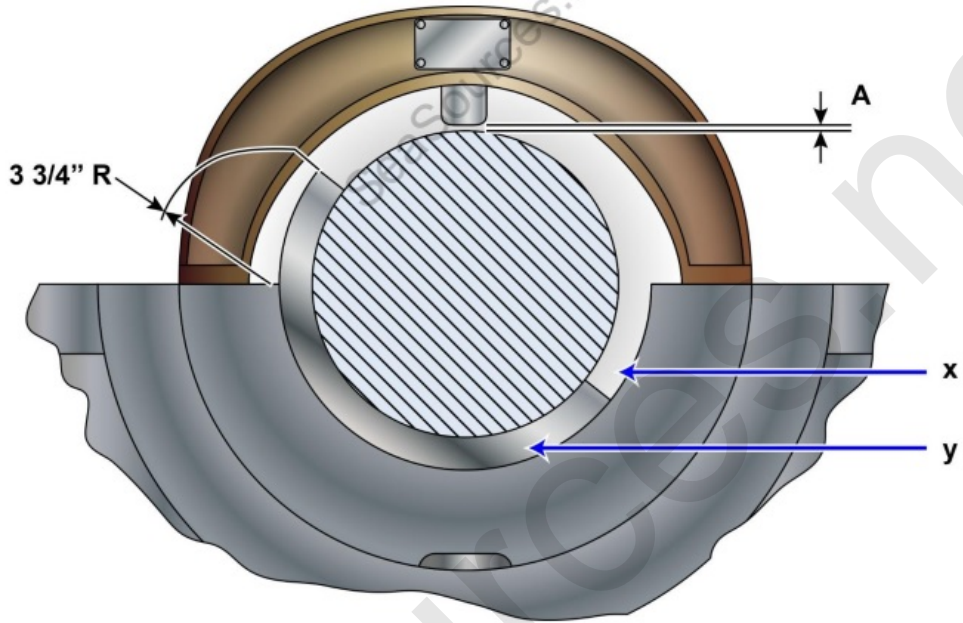


SE-0016



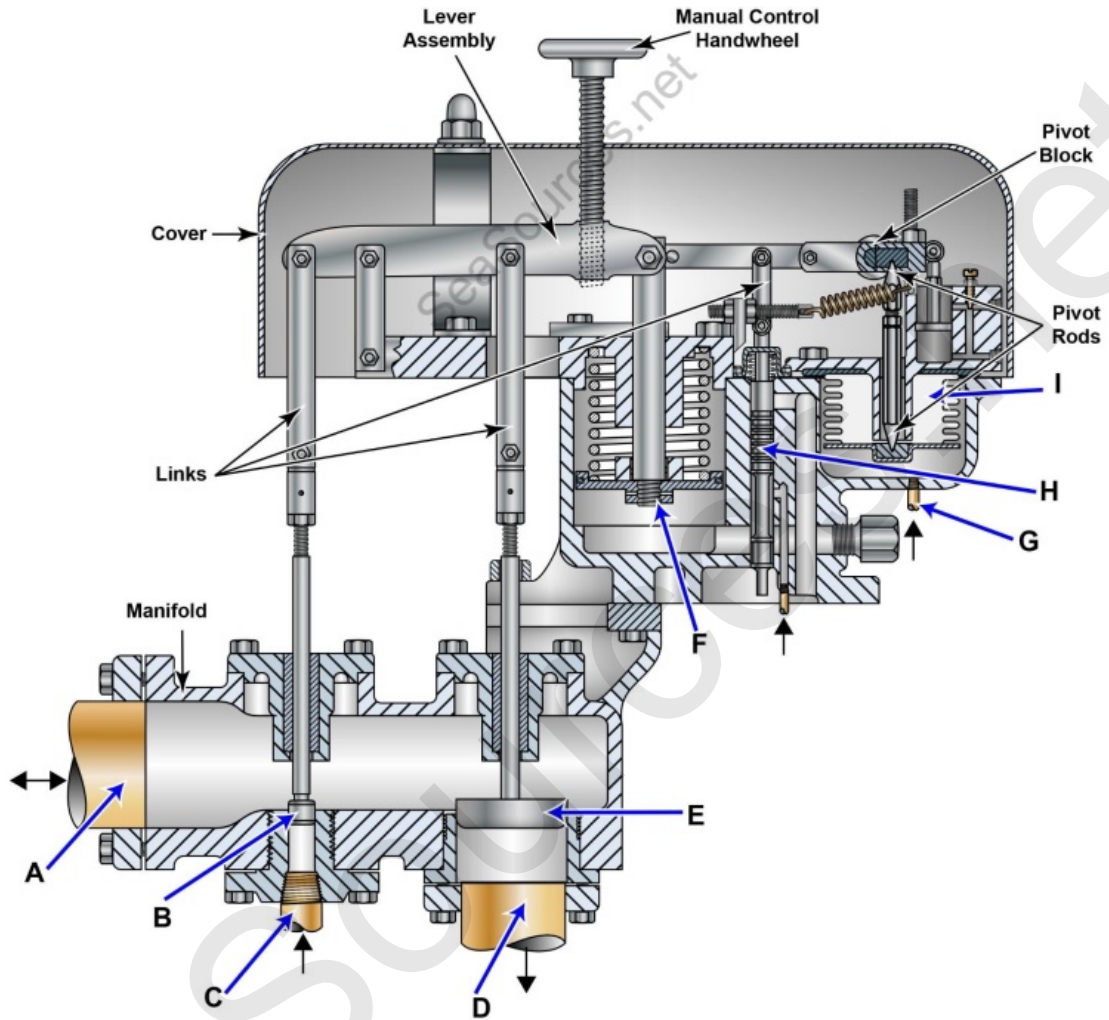
se0016\_wm\_100118

SE-0017



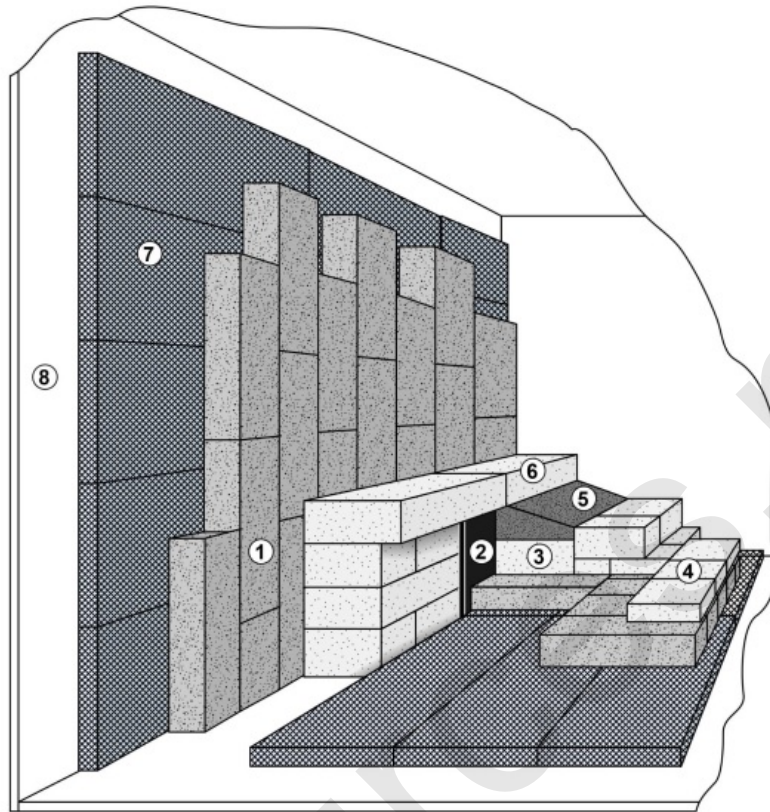
se0017\_wm\_100118

SE-0019



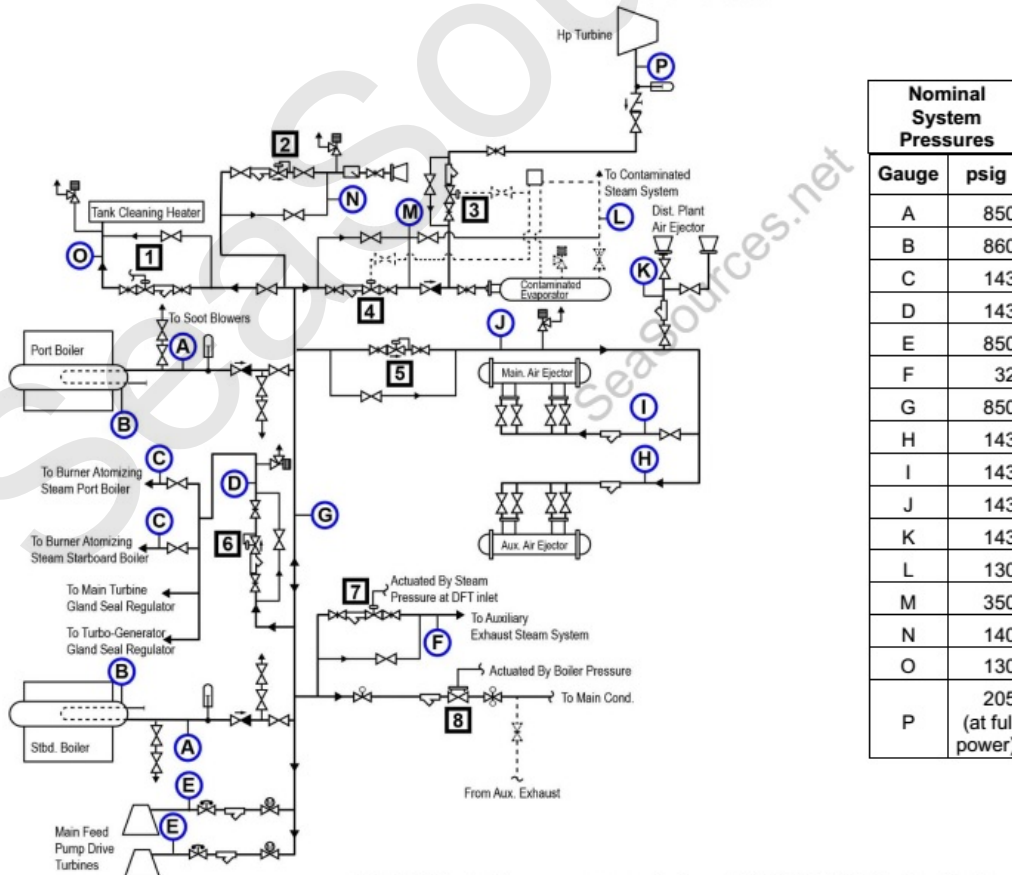
se0019\_wm\_100218

SG-0003



sg0003\_wm\_070221

SG-0005

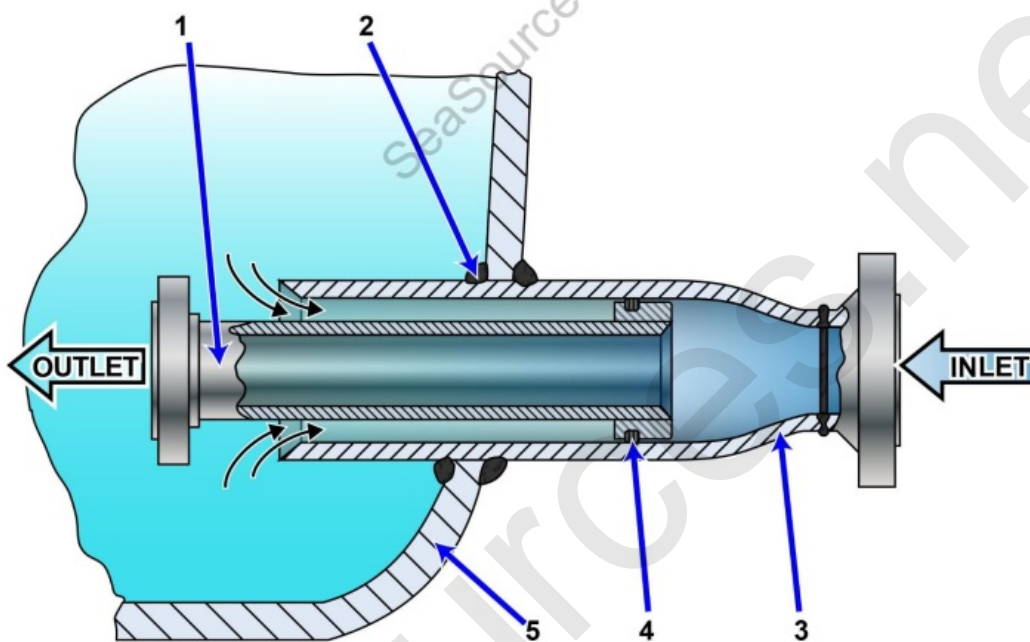


Nominal System Pressures	
Gauge	psig
A	850
B	860
C	143
D	143
E	850
F	32
G	850
H	143
I	143
J	143
K	143
L	130
M	350
N	140
O	130
P	205 (at full power)

Device Settings	
Valve	Psig
1	130
2	140
3	185
4	350
5	143
6	143
7	32
8	860

sg0005\_wm\_100218

SG-0006



sg0006\_wm\_100218